

# Timeless German Quality



**SCHNEPEL** 09.2016

# SCHNEPEL

STYLE IS THE EXPRESSION OF AN INDIVIDUAL'S IDENTITY. INTEGRATING MODERN CONSUMER ELECTRONIC EQUIPMENT INTO OUR LIVING SPACE IS A CHALLENGE. OUR AESTHETIC DEMANDS HAVE TO BE COMPATIBLE WITH OUR DEMANDS FOR HIGH-TECH AND USER-FRIENDLINESS. OUR FURNITURE CONCEPT REFLECTS THE SPIRIT OF THE TIMES BY COMBINING ERGONOMICS, PERFECT SHAPES, LOOKS AND FEEL, AND ENABLES AN EXCEPTIONALLY BROAD SPECTRUM OF DESIGN POSSIBILITIES. EVERY PIECE BECOMES UNIQUE .

**SCHNEPEL**

AS INDIVIDUAL AS YOUR LIFESTYLE.

# PEEL

Light, structure, space, colour and shape – architecture is a combination of all these factors. The following pages illustrate how our consumer electronics furniture can be perfectly integrated into your personal and individual living spaces.



SCHNEPEL **S1**

04 | 23



**X-Linie**

24 | 31



**ELF-Linie**

32 | 41



**VariC 2.0**

42 | 45



**Configurator**

47

SCHNEPEL **S1**

# AS INDIVIDUAL AS YOUR LIFESTYLE

## MK-2

Product code 00107WPP  
Cladding high-gloss white  
Front finish Pasadena  
Handle 04 (product code 64963)



Whether the emphasis is on Pasadena or Cuba Libre – the modern classic Schnepel **S1** excites the senses through its harmony and timelessness. It is impressive how, after years, it still never fails to fascinate. Schnepel **S1** MK-2 focuses on perfect symmetry: two doors either side of a large middle flap. And inside? Just as impressive with inch-perfect luxury. Typical Schnepel.



**NEW**



Mobility through castor set (Ø 50 mm)  
Invisible because of hidden mounting  
behind a panel



# SCHNEPEL **S1**



Example: **LB-2** wall mounting

## **S1** Wall mounting

Product code

65025 <b>Wall mounting kit 1</b>	for model <b>SK-2, MK*</b> and <b>LB*</b>
65026 <b>Wall mounting kit 2</b>	for model <b>SK-3, MK-1</b> and <b>LB-1*</b>
65027 <b>Wall mounting kit 3</b>	for model <b>MK-2</b> and <b>LB-2*</b>

\* valid also for the respective sound variations



## WALL MOUNTING KIT **FOR S1** **NEW**

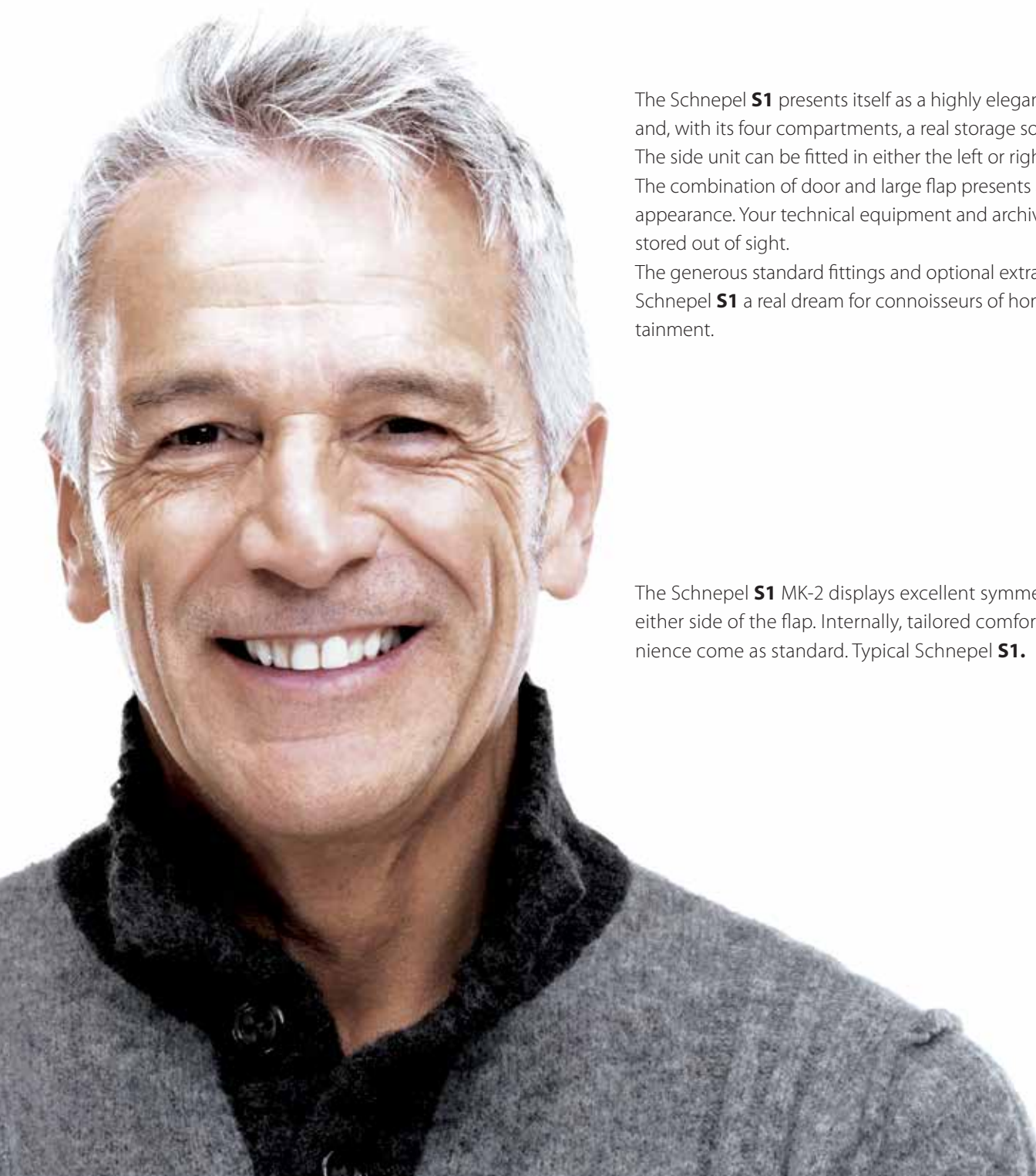
### **Sometimes it has to be a little bit more**

Great, if a furniture is hanging at the wall and makes a floating impression. That's not only awesome for the visitors but also for the toiling houseman! Problematic cleaning under the furniture is now a thing of the past. With the wall mounting kit S1 all models of the **S1** media furniture series can be mounted at the wall!

The loading capacity of each model is 50 kg.

The Schnepel **S1** reflects timelessness and harmony and sets accents in slate or rough-sawn oak. Further more, these variants are still as up-to-date now as they were on their very first day.

## MODULAR ORGANISATION



The Schnepel **S1** presents itself as a highly elegant sideboard, and, with its four compartments, a real storage solution. The side unit can be fitted in either the left or right position. The combination of door and large flap presents an elegant appearance. Your technical equipment and archive is cleverly stored out of sight. The generous standard fittings and optional extras make the Schnepel **S1** a real dream for connoisseurs of home entertainment.

The Schnepel **S1** MK-2 displays excellent symmetry: 2 doors either side of the flap. Internally, tailored comfort and convenience come as standard. Typical Schnepel **S1**.



## MK

Product code 00103WWI



## MK-1

Product code 00106WWI



## MK-2

Product code 00107WWI



Cladding high-gloss white | upper front rough-sawn oak | lower front high-gloss white | Handle 01

# SCHNEPEL **S1**

## **SK-2**

Product code 001011SS  
Cladding oak, rough-sawn  
Face finishes high-gloss black  
Handle 03 (product code 64962)



## **SK-3**

Product code 001021WW  
Cladding oak, rough-sawn  
Front finishes high-gloss white  
Handle 03 (product code 64962)



Movie fans in the front row: The Schnepel **S1** provides a highly exciting approach to presenting your multi-media equipment. A discreet light chain which glows white, red or blue can also be factory fitted to your design; a lighting system with 15 changing colours can be added offering a whole spectrum of impressive accents.

## SHINING EXAMPLE

### SK-3

Product code 00102WWW  
Cladding high-gloss white  
Front finishes high-gloss white  
LED light chain in white  
Handle 03 (product code 64962)



SCHNEPEL **S1**

# ALL THIS IS POSSIBLE

## LB SOUND

Product code 00109WWF  
Cladding high-gloss white  
Upper front finish with  
black fabric cover  
Lower front finish high-gloss white  
Handle 04



A fascinating appearance is one thing, but the Schnepel **S1** goes a whole lot further. A wide variety of luxurious details make it the perfect and indispensable companion in the exciting world of multi-media. Whether with fabric-covered fronts for the soundbar, indirect lighting or remote controlled swivel-column TV bracket – all these features give it the leading edge over other conventional hi-fi and TV furniture.



## Features (optional)

**NEW**



### Wall mounting kit

With our new wall mounting kits you can attach all **S1**-models to the wall. The loading capacity for all models is 50 kg.



### Indirect lighting

Single-colour (white, red or blue) controlled and dimmed by a touch of the chrome inlay, dispensing with the need for a remote control. Further colours are available on request. A remote control is included in the light-chain with changing colours package.



### Fabric covered fronts

Fabric covered fronts (with a choice of black, white or silver-grey) ensure that the integrated sound-system can be enjoyed at its best even with closed doors. Choose between a fully covered front, or covered upper front. (Further colours on request)



### Swivel column with TV bracket

Chrome column; TV can be swivelled manually to 45° each side (for TVs of max. 60" and max. 55kg)



### Swivel column with TV bracket, electrical operation

Column in chromium finish; controllable by remote control; TV has a swivel range of 45° on each side; safety catch prevents further movement when the screen hits a hindrance (for screens up to max. 60" and a weight of max. 55 kg)



### Internal automatically retracting drawers

with soft damping  
Black felt insert. Max. load 40 kg.  
Interior measure WHD 440x70x369 mm

**NEW**



### Mobility through castor set

Ø 50 mm  
Invisible because of hidden mounting behind a panel.  
In case of use of the castor set the furniture raises approx. 65 mm.



SCHNEPEL **S1**

# MODEL UPGRADES **NEW**

## LB-1

Product code 00110WY0  
Cladding high-gloss white  
Front finish with acoustic fabric white  
Handle 04

Exterior view



## LB-2

Product code 00114SCF  
Cladding high-gloss black  
Upper front finish acoustic fabric black  
Lower front finish Cuba Libre  
Handle 04

Interior view



## LB-2

Product code. 00114WEE  
Cladding high-gloss white  
Front real oak  
Handle 01



In addition to the already known model **S1** Lowboard there are now the variations **LB-1** and **LB-2** available. The **LB-2** Lowboard provides a lot of space vor A/V equipment and accessories with its roomy middle section and its two drawers on the left and right side. The model **LB-1** has a drawer either on the left or the right side. If desired, the drawers can be replaced through flaps.

SCHNEPEL **S1**

# EXPERIENCE **PURE SOUND**

## **MK Sound**

Product code 00104CV0  
Cladding Cuba Libre  
Front finish fabric cover in silver-grey  
Handle 04

Everything included: fabric covered fronts\* (in a choice of black, white or silver-grey) guarantee optimal sound even when the flap is closed. The top area allows room for a soundbar, the bottom area has 3 compartments for AV equipment and accessories.

(\*have to be ordered separately)

Interior view



# SPACE FOR SOUND

**NEW**

## LB-1 Sound

Product code 00113PV0  
Cladding Pasadena  
Front finish fabric cover in silver-grey  
Handle 04



## LB-2 Sound

Product code 00115WEJ  
Cladding high-gloss white  
Upper front finish fabric cover white  
Lower front finish real oak  
Handle 04



All **S1** Lowboard variations are also available as „sound“ variation. That means, the middle section is provided with a height-adjustable shelf instead of the division into separate cases. Thus it offers enough space for your soundbar

Soundbars with max. measurements of W 130 x H 230 x D 215 mm can be placed.



## LB Sound

Product code 00109WYO  
Cladding high-gloss white  
Front finish fabric cover in white  
Handle 04

## Features (standard)

# SOPHISTICATED IN EVERY DETAIL

- High-quality chrome inlays at the mitre joints
- Chromed finger-pull handles (further handles on request)
- Feet height adjustable from the inside
- Pull-out and height adjustable shelves in each module
- Flap and doors available with integrated automatic retraction and damping
- Including a remote control distributor for control of AV equipment when doors are closed
- High-quality fittings (made in Germany)
- Two multi sockets in every unit (= 8 sockets)
- Cable management: high-quality chrome cable passages in the top shelves; invisible cabling inside the furniture facilitated by double rear panel and cable passages in the separating panels.

## MK-2

Product code 00107WWC  
Cladding high-gloss white  
Upper front finish Cuba Libre  
Lower front finish high-gloss white





# GETTING A **GRIP**



01

High quality Touch-In finger-pulls  
Chrome gloss  
(Standard if others are not specifically requested)



02

Clear, reduced lines:  
The railing pull-handle.  
Chrome gloss  
product code 64961



03

Modern appearance guaranteed:  
Fitted designer handles.  
Chrome gloss  
product code 64962



04

Noble, demonstratively reserved:  
The handle- strip.  
Chrome gloss  
(Standard with fabric-covered models)  
product code 64963

# CHAMELEON-LIKE QUALITIES FULL OF IDEAS

Individuality counts: a choice of eleven specially selected materials are available when planning the cabinet bodies and fronts. Each piece of furniture is produced individually. We go even further and look to accommodate extra décor styles on request.

## High-gloss white

Classic gloss surface which is easily combinable with other colours.

## Cuba Libre

The colour trend with gloss surface.

## Real slate

We use real slate from fissile slate. The rough surface and the colour deviations in the individual layers make every piece unique. The colour deviations, structure and inclusions are inherent in this natural and unique material, making it sought after in terms of individuality. The picture on the right is a single representation of our slate, which will vary in appearance from piece to piece.

Real slate adds a special touch to your design.

## Pasadena

Pasadena real wood veneer: the look of naturally weathered, aged wood from a sun-drenched climate. The surface is irregular with subtle dents and colour variations - hewn for a beautifully natural feel. Another Schnepel highly individual décor choice.

## Real oak

Real wood is both popular and modern. The natural beauty and longevity of the grain displays a real sense of style and a legacy of love for elegance. We recognise and applaud the timelessness of oak.

## NEU Walnut Montana

This surface is recreated of real walnut wood and honors particularly the gloss matt effect. Through this slightly structure the decor receives its semi-natural haptics.

## High-gloss black

Noble and modern with high-gloss finish

## NEU High-gloss Umbra

A little darker grey-brown colour with a high-gloss finish, that is excellent in combination with other uni colours and with light woodshades also.

## Concrete look

It looks like concrete. It feels like concrete. Our concrete look is exciting in terms of interior design possibilities, captivating and fascinating with its realistic surface, which includes air bubbles and subtle differences in colour. A material for contemporary purists.

## Rough-sawn oak

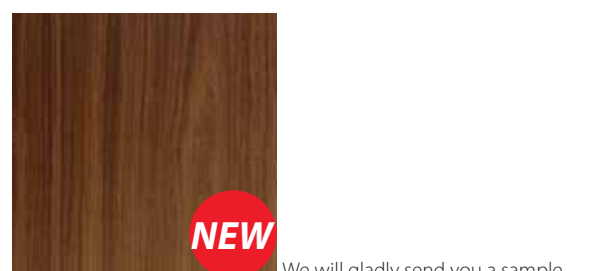
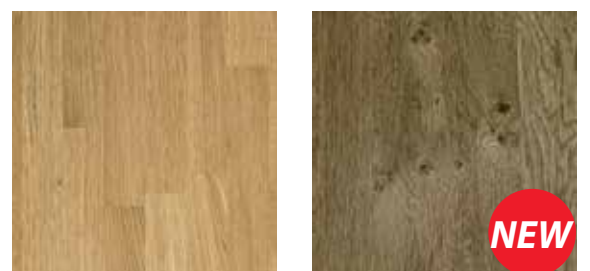
The trend décor. Our rough-sawn oak finish is a highly attractive and hard wearing material. The authentic surface ensures a natural 'raised' feel associated with hewn oak. The timeless look and feel of oak for a traditional design touch.

## NEU Antique oak

Brandnew and easily combinable: the 6mm thick oak veneer of our surface ,antique oak' receives its modern greyish discolouration through a complex production process. Slight colour transitions are apparent from trunk to trunk, those make the surface even more exciting and individual. Our veneer includes also knotholes wich emphasises the authenticity of the wood. With natural wax sealed the surface keeps its natural matt shimmering character and is still protected.

Reference: the S1 models MK-2, LB-2 and LB-2 Sound can unfortunately not be produced with a continuously top shelf in concrete look and real slate. If you wish one of these versions, please don't hesitate to contact us. We will be happy to advise you.

Combine on [www.schnepel-konfigurator.de](http://www.schnepel-konfigurator.de)



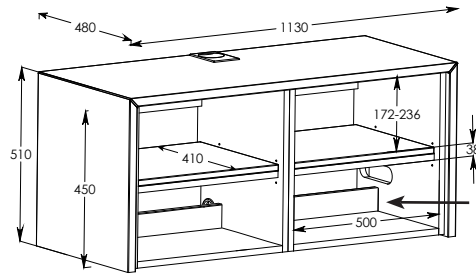
We will gladly send you a sample.

## Technical details

### SK-2

Measurements in mm  
H 510 x W 1130 x D 480

Loading capacity upper shelf 90 kg  
Loading capacity extendible shelf 25 kg

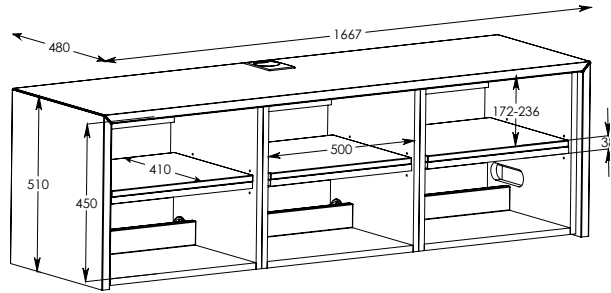


By removal of the cable panel at the back of the lower shelf the total depth will be 430 mm (This applies to all models)

### SK-3

Measurements in mm  
H 510 x W 1667 x D 480

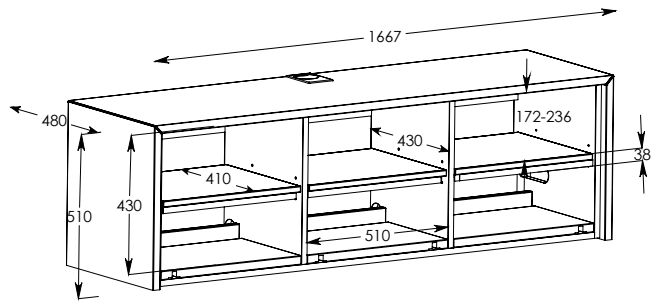
Loading capacity upper shelf 90 kg  
Loading capacity extendible shelf 25 kg



### MK

Measurements in mm  
H 510 x W 1667 x D 480

Loading capacity upper shelf 90 kg  
Loading capacity extendible shelf 25 kg

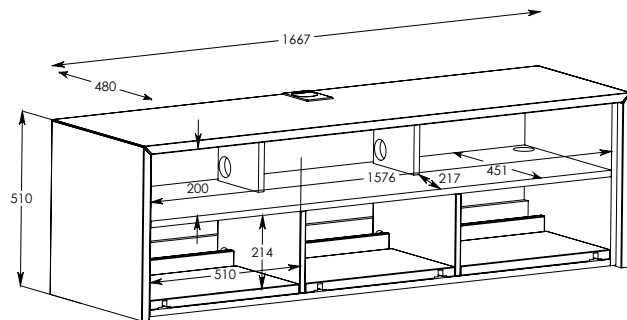


### MK Sound

Measurements in mm  
H 510 x W 1667 x D 480

Loading capacity upper shelf 90 kg  
Loading capacity shelf 25 kg

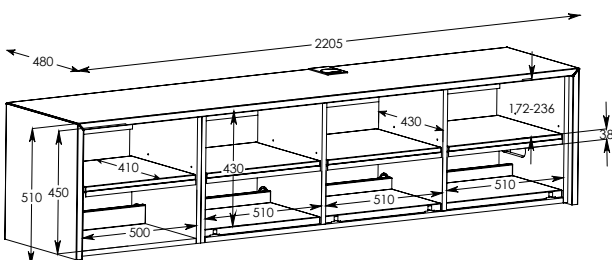
for sound bars up to max. W 1500 x H 200 x D 215



### MK-1

Measurements in mm  
H 510 x W 2205 x D 480

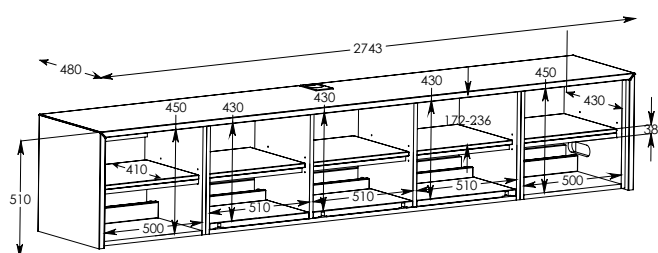
Loading capacity upper shelf 90 kg  
Loading capacity extendible shelf 25 kg



### MK-2

Measurements in mm  
H 510 x W 2743 x D 480

Loading capacity upper shelf 90 kg  
Loading capacity extendible shelf 25 kg

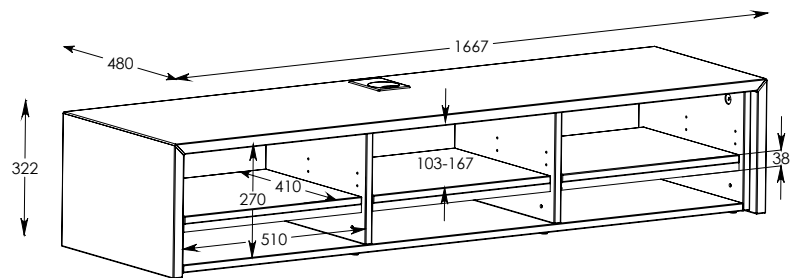


All dimensions are ca. measurements

### Lowboard

Measurements in mm  
H 322 x W 1667 x D 480

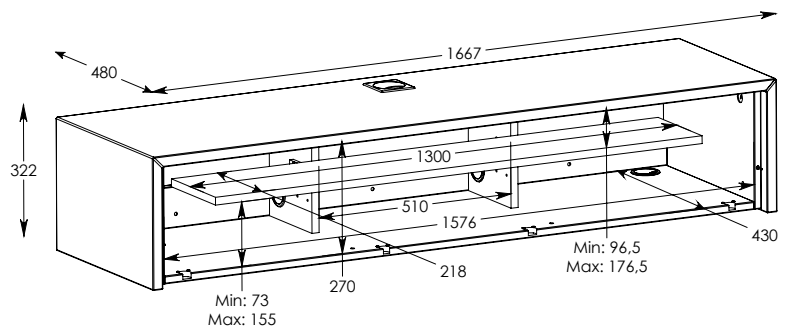
Loading capacity upper shelf 90 kg  
Loading capacity extendible shelf 25 kg



### LB Sound

Measurements in mm  
H 322 x W 1667 x D 480

Loading capacity upper shelf 90 kg  
Loading capacity soundbar shelf 15 kg



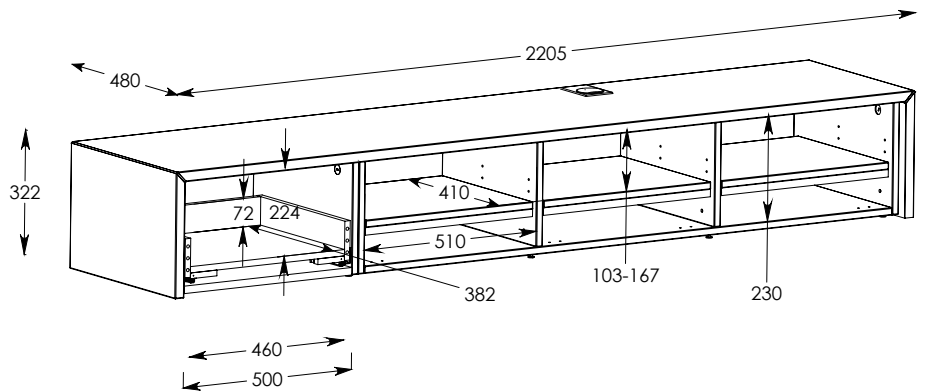
*„Your devices don't fit in?  
**No problem,**  
we manufacture your own special furniture  
with individual measurements!“  
(s.a. side 42|43)*

## Technical details

### LB-1

Measurements in mm  
H 322 x W 2205 x D 480

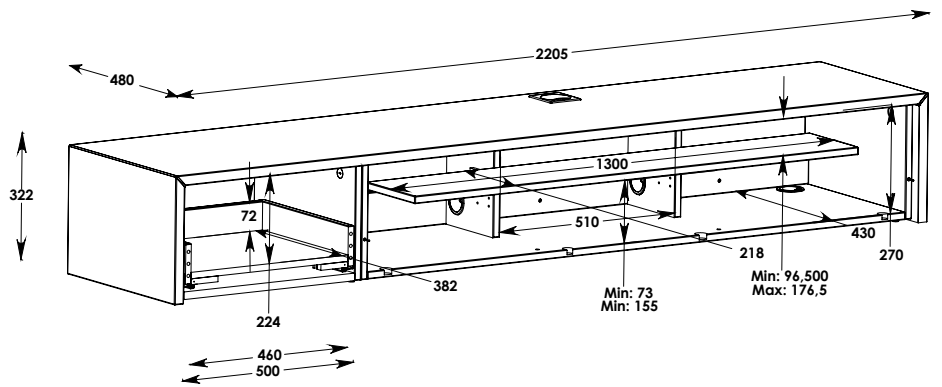
Loading capacity upper shelf 90 kg  
Loading capacity extendible shelf 25 kg  
Loading capacity drawer 25 kg



### LB-1 Sound

Measurements in mm  
H 322 x W 2205 x D 480

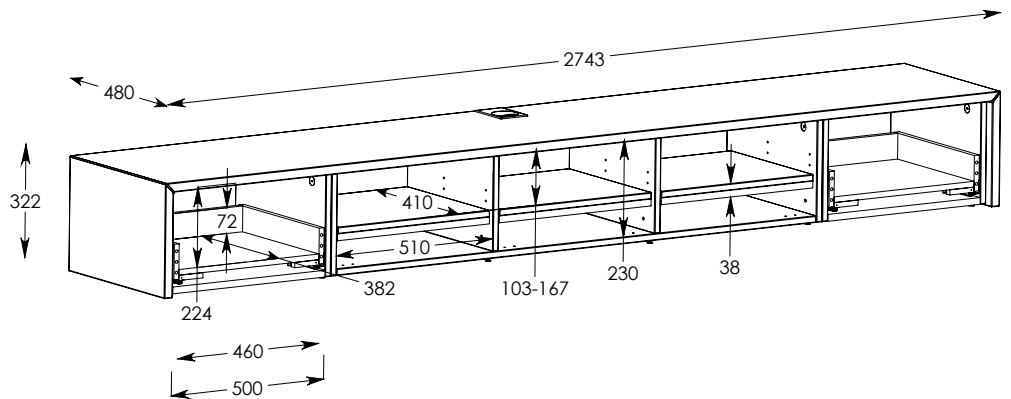
Loading capacity upper shelf 90 kg  
Loading capacity soundbar shelf 15 kg  
Loading capacity drawer 25 kg



### LB-2

Measurements in mm  
H 322 x W 2743 x D 480

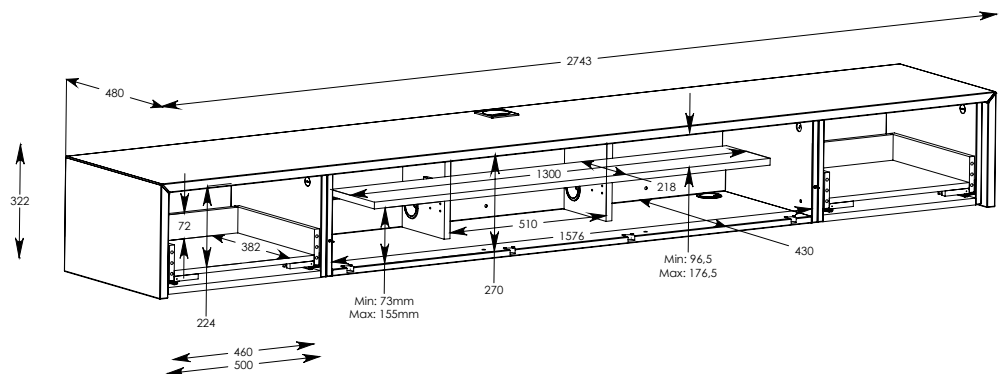
Loading capacity upper shelf 90 kg  
Loading capacity extendible shelf 25 kg  
Loading capacity drawer 25 kg



### LB-2 Sound

Measurements in mm  
H 322 x W 2743 x D 480

Loading capacity upper shelf 90 kg  
Loading capacity soundbar shelf 15 kg  
Loading capacity drawer 25 kg





X-Linie

# SIT BACK AND JUST ENJOY

The X-Linie has already been awarded the prestigious Innovations Prize Plus-X-Award for its unique design qualities. It is the clear lines, carefully chosen materials and luxurious and precisely detailed configuration that sets this virtu apart.

## X-Lowboard 1900

Product code 00207EEW  
Sides real oak  
Cladding real oak  
Front finish high-gloss white



Whether hi-fi rack or TV unit, keeping the visibility of multi-media components to a minimum was the criteria for its design. Nevertheless, practical features were in no way ignored. Just the opposite in fact.

## X-HiFi Rack

Product code 00205EW0  
Sides real oak  
shelves high-gloss white





# X-Lowboard

## X-Lowboard 1400

open

Product code 00206HH0

Sides real slate

Cladding real slate



## X-Lowboard 1900

closed

Product code 00207WHW

Sides high-gloss white

Cladding real slate

Front finish high-gloss white



## X-Lowboard 1900

open

Product code 00207WH0

Sides high-gloss white

Cladding real slate





# Hi-Fi Rack

Product code 00205HW0

Sides real slate  
Shelves high-gloss white

The hi-fi lover's dream: sturdy, well-proportioned and individual. Every detail is carefully designed.

Our popular hifi rack is as of now also available in the XL version: very big and heavy devices may find a spectacular home here.  
Typical Schnepel

# HiFi-Rack XL

Product code 00208WPO



Sides high-gloss white  
Shelves Pasadena

# X-Linie

## X-1400

half-open

Product code 00203SPS

Sides high-gloss black

Shelves Pasadena

Front finishes high-gloss black



## X-1400

closed

Product code 00204WPW

Sides high-gloss white

Shelves Pasadena

Front finishes high-gloss white



# TV Furniture

more than 1.000 variants

## X-1400

open

Product code 00202PP0

Sides Pasadena

Shelves Pasadena



Whether open or half-open – this TV furniture imposes its presence decisively and impressively. Design your individual X-Linie from no less than 8 different decors.

The open version is also available in a width of 1200 mm.

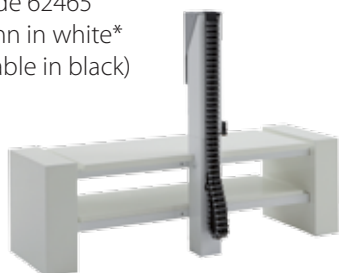
## Optional features

### Z-LIFT column

with TV support incl. remote control

Product code 62465

Z-Lift column in white\*  
(\*also available in black)



### Z-FIX column

with TV support

Product code 62463

Z-Fix column in black\*  
(\*also available in white)



This applies for both columns:

- Loading capacity 60 kg
- Suitable for TVs up to 65"
- VESA max. 800x400 mm



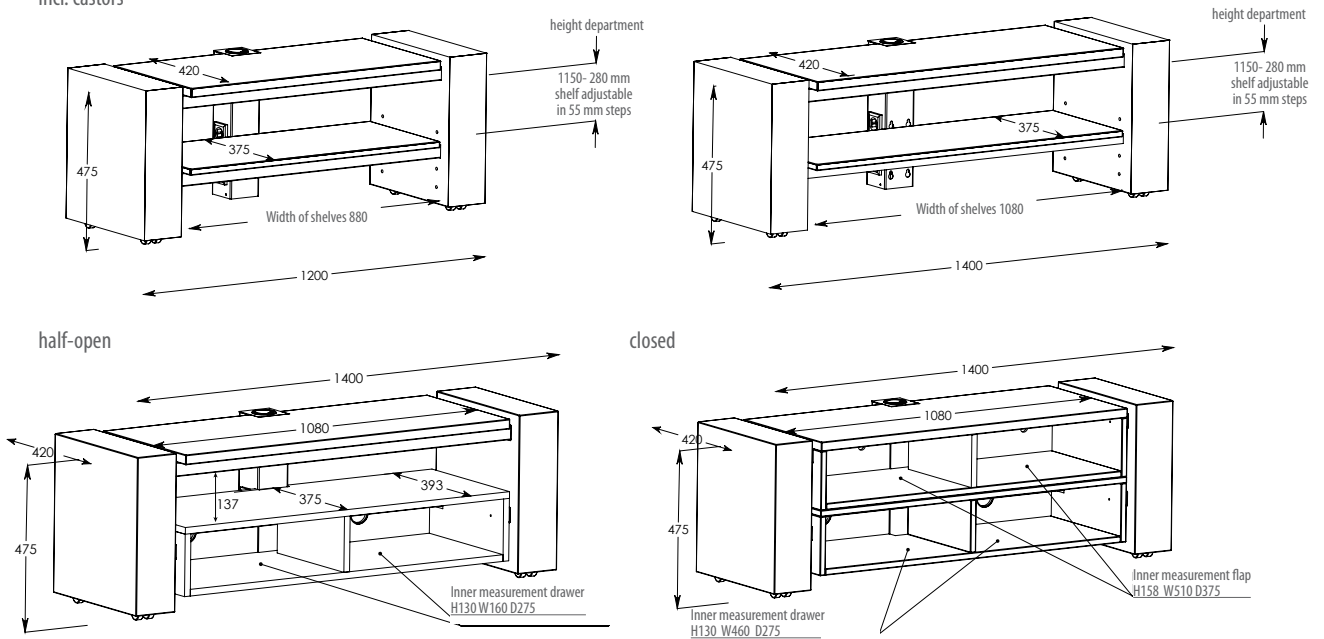
# X-Linie

## Technical details

### X-Line 1200/1400

Measurements in mm

Loading capacity upper shelf 90 kg  
 Loading capacity shelf 40 kg  
 Loading capacity compartment/ drawers 10 kg  
 incl. castors



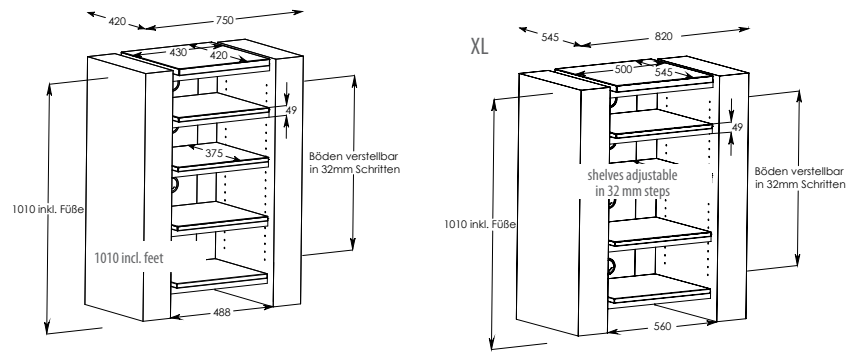
### Hifi-Rack | Hifi-Rack XL

Measurements in mm

A/V department H variable  
 adjustable in 32 mm steps

Loading capacity upper shelf 40 kg  
 Loading capacity shelf each 10 kg  
 Cable passages 1 per department

XL  
 Loading capacity upper shelf 40 kg  
 Loading capacity shelf each 40 kg  
 Cable passages 1 per department

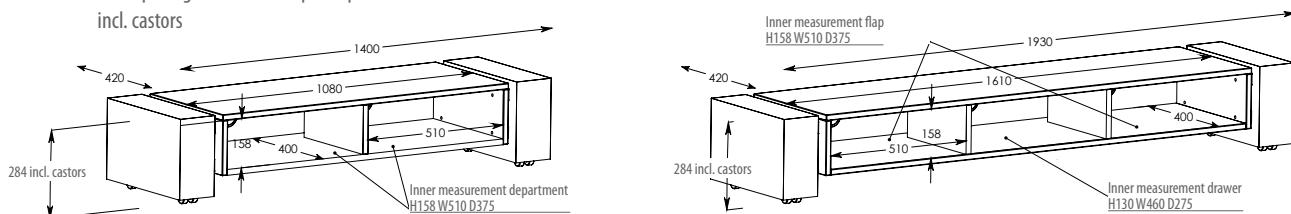


### Lowboard 1400/1900

Measurements in mm

Loading capacity upper shelf 65 kg  
 Loading capacity department/drawers 10 kg  
 Cabel passages 1 per department  
 incl. castors

All dimensions are ca. measurements



## EASILY COMBINED

Individuality counts: a choice of eleven specially selected materials are available when planning the cabinet bodies and fronts. Each piece of furniture is produced individually. We go even further and look to accommodate extra décor styles on request.

### High-gloss white

Classic gloss surface which is easily combinable with other colours.

### Cuba Libre

The colour trend with gloss surface.

### Real slate

We use real slate from fissile slate. The rough surface and the colour deviations in the individual layers make every piece unique. The colour deviations, structure and inclusions are inherent in this natural and unique material, making it sought after in terms of individuality. The picture on the right is a single representation of our slate, which will vary in appearance from piece to piece.

Real slate adds a special touch to your design.

### Pasadena

Pasadena real wood veneer: the look of naturally weathered, aged wood from a sun-drenched climate. The surface is irregular with subtle dents and colour variations - hewn for a beautifully natural feel. Another Schnepel highly individual décor choice.

### Real oak

Real wood is both popular and modern. The natural beauty and longevity of the grain displays a real sense of style and a legacy of love for elegance. We recognise and applaud the timelessness of oak.

### NEW Walnut Montana

This surface is recreated of real walnut wood and honors particularly the gloss matt effect. Through this slightly structure the decor receives its semi-natural haptics.

### High-gloss black

Noble and modern with high-gloss finish

### NEW High-gloss Umbra

A little darker grey-brown colour with a high-gloss finish, that is excellent in combination with other uni colours and with light woodshades also.

### Concrete look

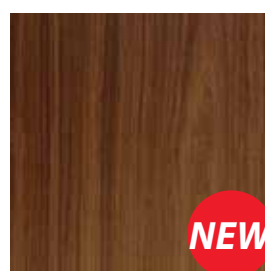
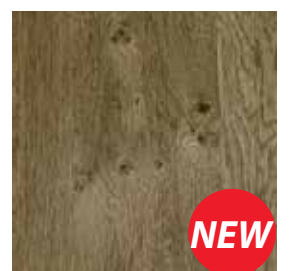
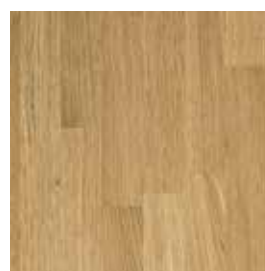
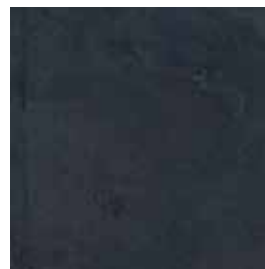
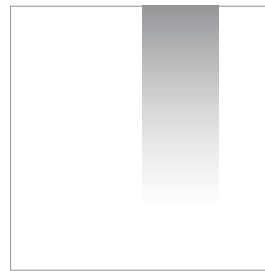
It looks like concrete. It feels like concrete. Our concrete look is exciting in terms of interior design possibilities, captivating and fascinating with its realistic surface, which includes air bubbles and subtle differences in colour. A material for contemporary purists.

### Rough-sawn oak

The trend décor. Our rough-sawn oak finish is a highly attractive and hard wearing material. The authentic surface ensures a natural 'raised' feel associated with hewn oak. The timeless look and feel of oak for a traditional design touch.

### NEW Antique oak

Brandnew and easily combinable: the 6mm thick oak veneer of our surface ,antique oak' receives its modern greyish discolouration through a complex production process. Slight colour transitions are apparent from trunk to trunk, those make the surface even more exciting and individual. Our veneer includes also knotholes wich emphasises the authenticity of the wood. With natural wax sealed the surface keeps its natural matt shimmering character and is still protected.



We will gladly send you a sample.

**ELF-Linie**

# LIVING IN **HARMONY**

Harmonic curves instead of right-angles: our ELF -Linie is beautiful on the eye with its rounded corners and varied choices of design options in both wall and floor units. A wide range of materials from real wood to high-gloss finish makes ELF-Linie easy to co-ordinate with existing décors. Why not plan your personal relaxation oasis around ELF?

## **ELF-Lowboard 170**

closed

Product code 00307WWP

Sides white

Cladding white

Front finishes Pasadena







# ELF-Linie

Choose ELFs horizontal or wall-mounted cabinets, a hi-fi rack, TV unit or storage. This established collection offers many possibilities and a wide choice of colours and finishes when planning your living space. Check out Cuba Libra in combination with high-gloss white - a real trendsetter in terms of contemporary design.



## ELF-A 120

open

Product code 00310WC0  
Storage  
for wall mounting

## ELF-A 120

closed

Product code 00310WCW  
Storage  
for wall mounting

## ELF-H 60

HiFi Rack

Product code 00305WC0



## **ELF-A 60**

open

Product code 00308WC0  
Storage  
for wall mounting

## **ELF-A 120**

closed

Product code 00310WCW  
Storage  
for wall mounting

## **ELF-L 170**

open

Product code 00307WC0  
Lowboard

# ELF-Linie

**One programme,  
many possibilities.**



## ELF 60

Product code 00301WH0  
Sides white  
Shelves real slate

With open shelf element or flaps, for small or large spaces, our ELF-Linie ensures flexible planning which if desired, can be extended by adding additional shelves or modules on castors.



## ELF 90

Product code 00302WH0  
Sides white  
Shelves real slate

Powder coated metalsides for each model available in black or white.



## ELF 120

Product code 00303WH0  
Sides white  
Shelves real slate



## ELF-G

Product code 00304SBS  
Sides black  
Shelves concrete look  
Doors black (glass)



## ELF-L 120

open

Product code 00306SB0  
Sides black  
Shelves concrete look



## ELF-L 170

closed

Product code 00307SBS  
Sides black  
Cladding concrete black  
Front finishes high-gloss black



**ELF-Linie**

# ELEGANT WALL UNITS

The beauty of the ELF-Linie is its versatility. Matching TV units or wall units can be added if and when necessary, enabling you to store your multi-media elegantly. The units can be mounted both horizontally or vertically.

Available in three different widths: as ELF-A60, ELF-A 90 or ELF-A 120.

## **ELF-A 60**

Product code 00308WP0

Storage

Sides white

Shelves Pasadena



## **ELF-A 120**

Product code 00310WP0

Storage

Sides white

Shelves Pasadena



## AS YOU LIKE IT

Individuality counts: a choice of eight specially selected materials are available when planning the cabinet bodies and fronts. The rounded metal side panels are available in matt black and matt white. Each piece of furniture is produced individually. We go even further and look to accommodate extra décor styles on request.

### High-gloss white

Classic gloss surface which is easily combinable with other colours.

### High-gloss black

Noble and modern with high-gloss finish

### Cuba Libre

The colour trend with gloss surface.

### Real slate

We use real slate from fissile slate. The rough surface and the colour deviations in the individual layers make every piece unique. The colour deviations, structure and inclusions are inherent in this natural and unique material, making it sought after in terms of individuality. The picture on the right is a single representation of our slate, which will vary in appearance from piece to piece.

Real slate adds a special touch to your design.

### Pasadena

Pasadena real wood veneer: the look of naturally weathered, aged wood from a sun-drenched climate. The surface is irregular with subtle dents and colour variations - hewn for a beautifully natural feel. Another Schnepel highly individual décor choice.

### Real oak

Real wood is both popular and modern. The natural beauty and longevity of the grain displays a real sense of style and a legacy of love for elegance. We recognise and applaud the timelessness of oak.

### NEW Walnut Montana

This surface is recreated of real walnut wood and honors particularly the gloss matt effect. Through this slightly structure the decor receives its semi-natural haptics.

### NEW High-gloss Umbra

A little darker grey-brown colour with a high-gloss finish, that is excellent in combination with other uni colours and with light woodshades also.

### Concrete look

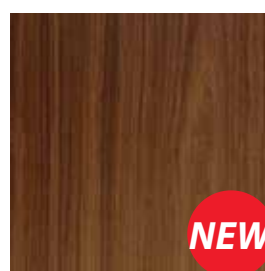
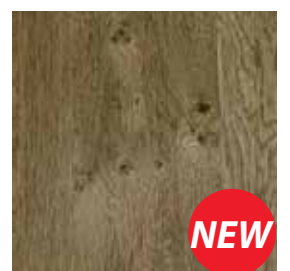
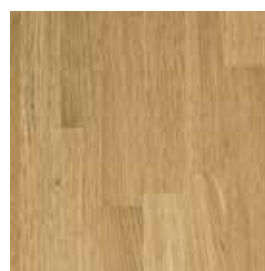
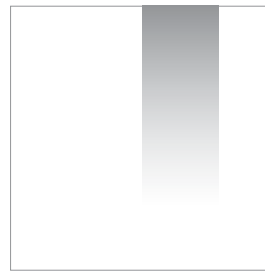
It looks like concrete. It feels like concrete. Our concrete look is exciting in terms of interior design possibilities, captivating and fascinating with its realistic surface, which includes air bubbles and subtle differences in colour. A material for contemporary purists.

### Rough-sawn oak

The trend décor. Our rough-sawn oak finish is a highly attractive and hard wearing material. The authentic surface ensures a natural 'raised' feel associated with hewn oak. The timeless look and feel of oak for a traditional design touch.

### NEW Antique oak

Brandnew and easily combinable: the 6mm thick oak veneer of our surface ,antique oak' receives its modern greyish discolouration through a complex production process. Slight colour transitions are apparent from trunk to trunk, those make the surface even more exciting and individual. Our veneer includes also knotholes wich emphasises the authenticity of the wood. With natural wax sealed the surface keeps its natural matt shimmering character and is still protected.



# ELF-Linie

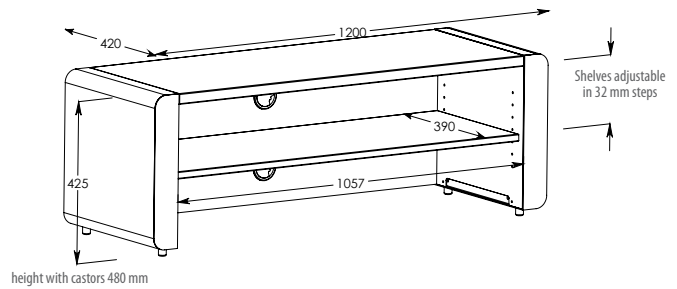
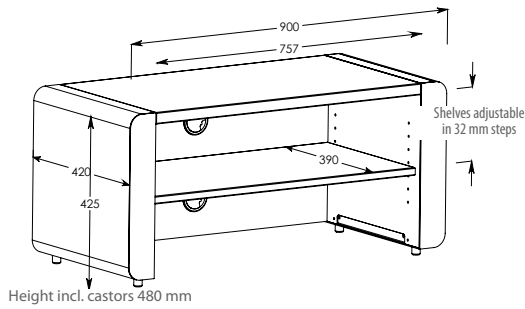
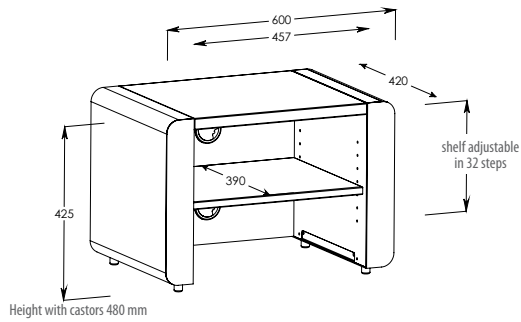
## Technical details

### ELF-60/90/120

Measurements in mm

H A/V department min. 58 - max. 250  
variably adjustable

Loading capacity upper shelf 40 kg  
Loading capacity shelf 10 kg  
Additional shelf 10 kg



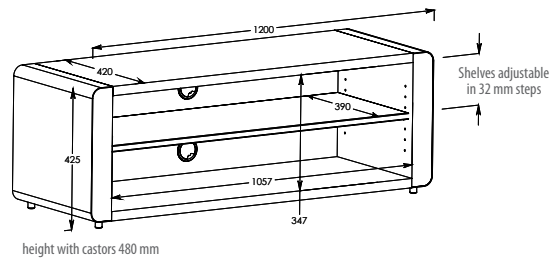
optionally available: castor set and additional shelf

### ELF-G

Measurements in mm

H A/V Departments variably adjustable

Loading capacity upper shelf 40 kg  
Loading capacity shelf 10 kg  
Bottom shelf 10 kg



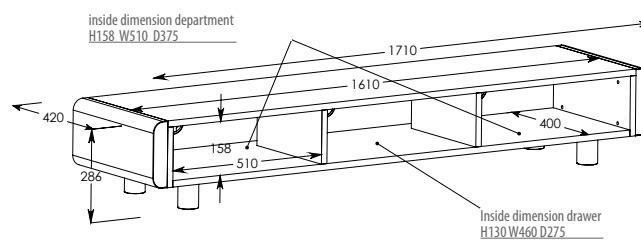
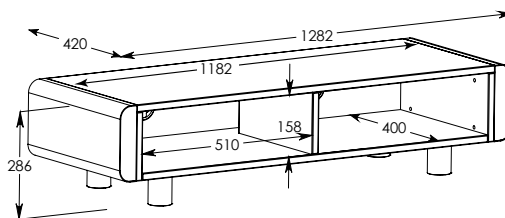
optionally available: castor set

### ELF-Lowboard 120/170

open or closed  
Measurements in mm

for the closed version  
2 flaps (120) or  
2 flaps and a drawer in the middle (170)

Loading capacity upper shelf 40 kg  
Loading capacity departments/drawers per department 10 kg

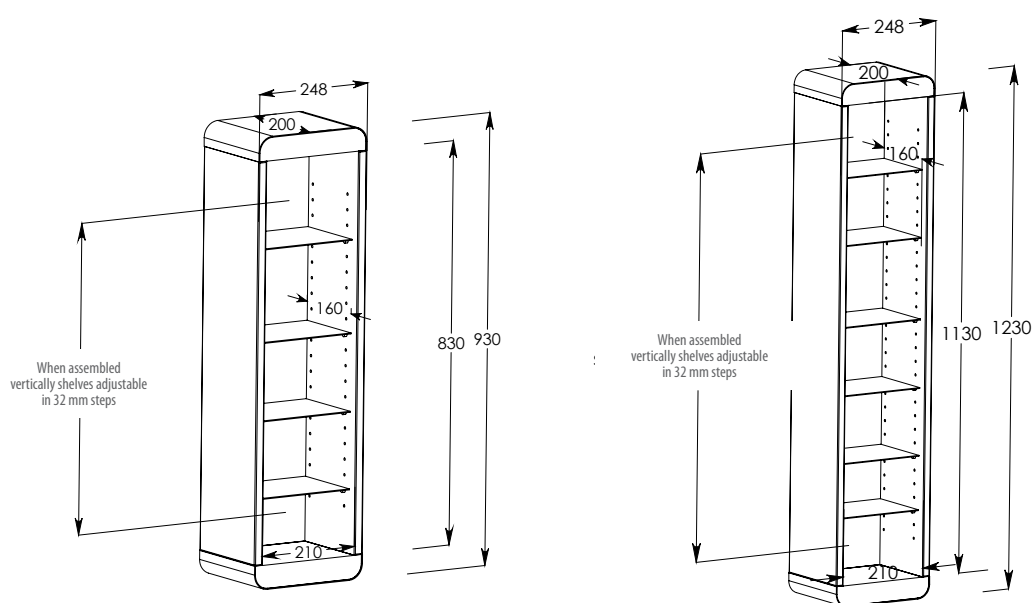
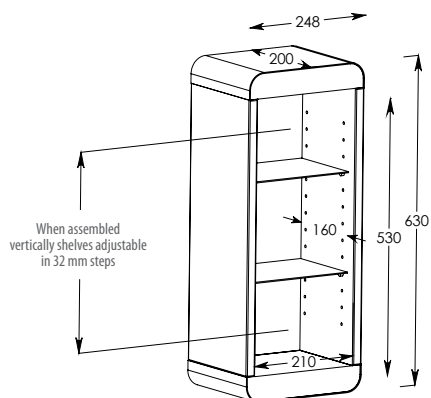


All dimensions are ca. measurements

**ELF-A 60/90/120**  
(For wall mounting)

Measurements in mm

Loading capacity  
Department interior 8 kg



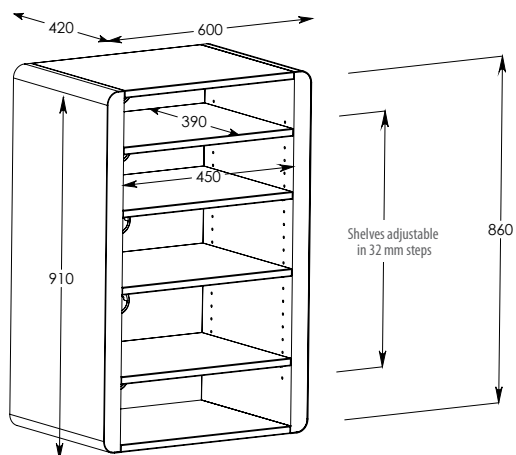
Including mounting brackets, wall-mounting material not included.

**Hifi-Rack**

Measurements in mm

H A/V department height adjustable

Loading capacity upper shelf 40 kg  
Loading capacity shelf per department 10 kg  
Loading capacity bottom shelf 10 kg



VariC-Line 2.0



# WE CLEANED UP

VariC 2.0 presents itself more elegant and efficient for the ultimate TV event! 2 Models - open or closed with acoustic fabric covered flaps - have a width of 1356 mm. They offer in the inside incredible storage space even for wide soundbars or especially deep amplifiers. The 60 mm high base simulates a floating and stylisch optic.



## VariC L 2.0 Sound

closed

Product code 65069

Body matte white

Flap acoustic fabric silvergrey







# VariC-Line 2.0

## Technical data

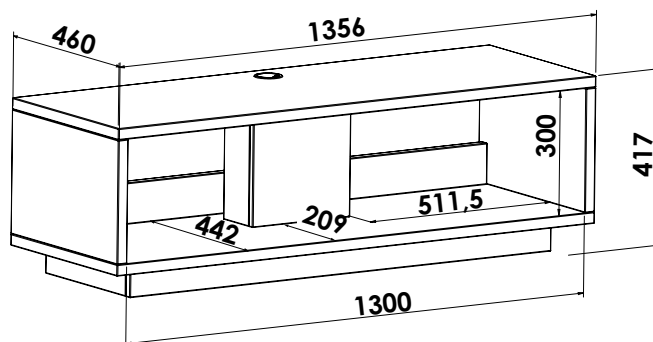
### VariC L 2.0



Measurements in mm

Width	1356
Height	417
Depth	460

Loading capacity top shelf	30 kg
Loading capacity bottom shelf	30 kg



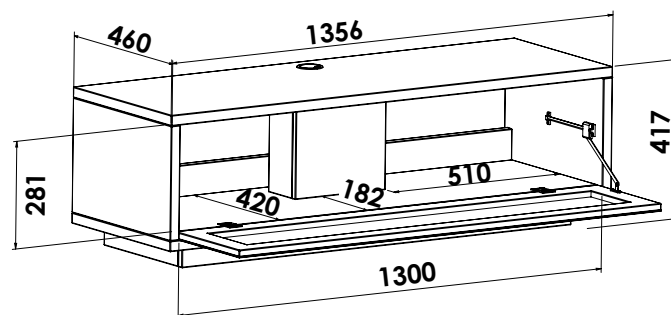
### VariC L 2.0 Sound



Measurements in mm

Width	1356
Height	417
Depth	460





Loading capacity top shelf	30 kg
Loading capacity bottom shelf	30 kg



## Features (standard)

- TV furniture in width of 1356 mm
- Body available in matte white, matte black, high-gloss white or high-gloss black (thickness of the material approx. 28 mm)
- Model VariC 2.0 Sound with acoustic covered flap with push-to-open in black, white or silvergrey
- With base (60 mm high) - floating appearance
- Cable crossing in top and bottom shelf
- Open rear wall for ventilation of devices and for cable management
- Integrated socket strip with 4 slots
- Dismantled delivery

## Further **optional features** possible:

-  Mobility through castor set (Ø 50 mm - hidden mounting inside of base)
-  Manuel turnable column incl. TV support
-  Elektric turnable column incl. TV support
-  Wall mounting kit  
(Mounting of base is not applicable in this case, loading capacity per top and bottom shelf 20 kg)

# OPTIMAL SOUNDMANAGEMENT

Openings in top and bottom shelf and an open backplane ensure a tidy cable management and a sufficient ventilation for the devices. The integrated socketstrip with 4 slots promises an immediate plug & play.

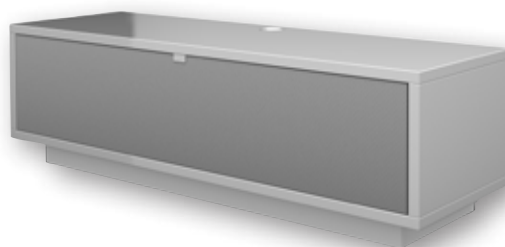
## VariC L 2.0

Product code 65067  
TV furniture  
Body high-gloss black



## VariC L 2.0 Sound

Product code 65074  
TV furniture with acoustic covered flap  
Body high gloss white  
Flap acoustic fabric silvergrey



### Body



matte  
white

matte  
black

HG  
white

HG  
black

### Flap



fabric  
black

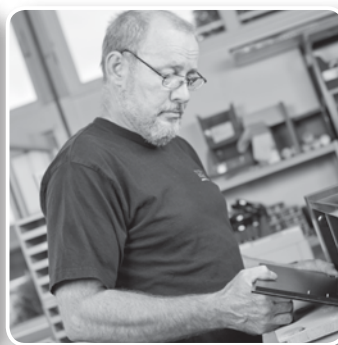
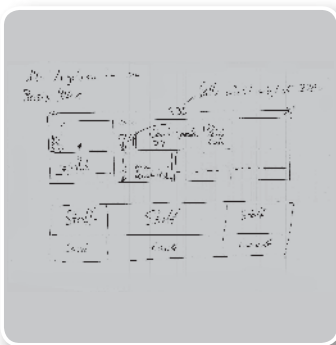
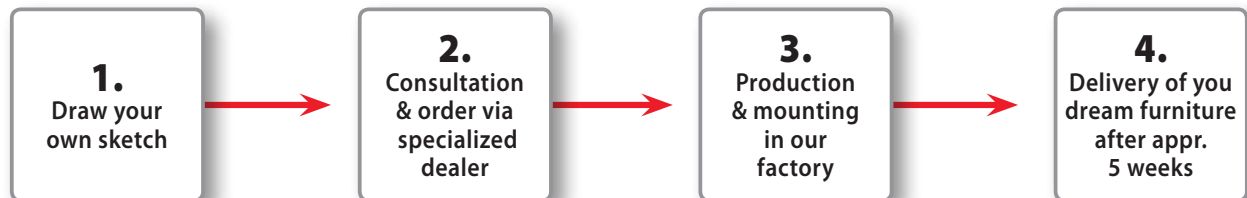
fabric  
white

fabric  
silvergrey

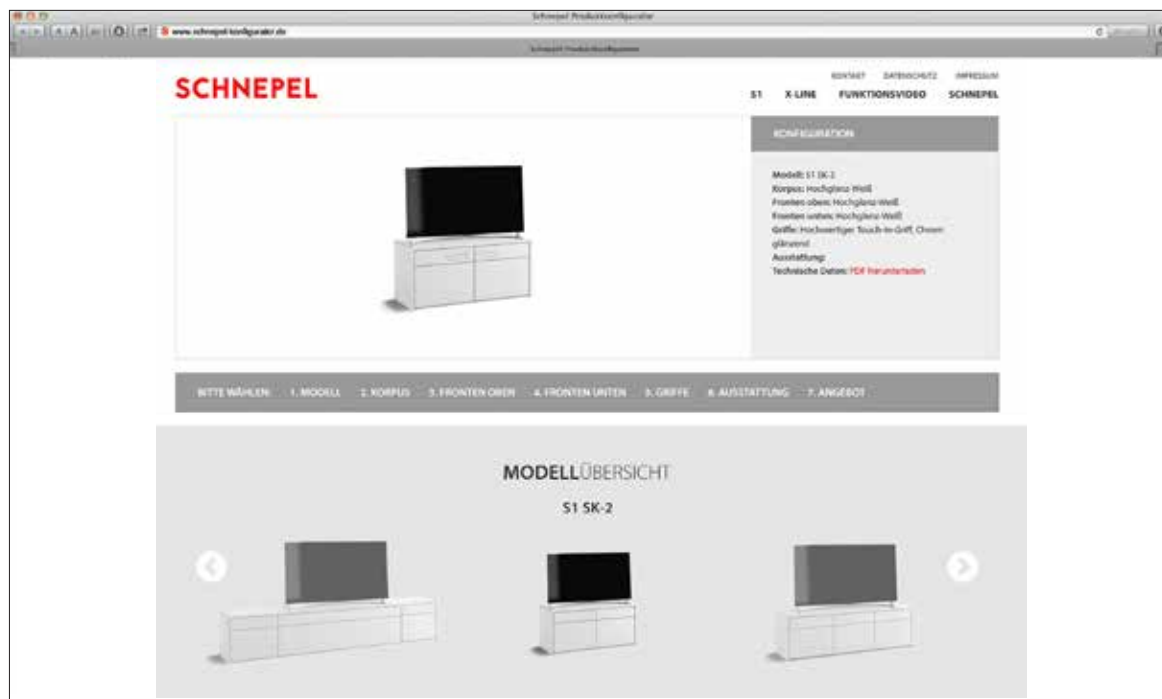
# SPECIAL DESIGN

FROM THE FURNITURE FACTORY

SCHNEPEL



# Schnepel Product Configurator



## INSPIRATION NOW MOUSE POWERED

Individual furniture planning often starts from the comfort of your armchair. On our website please find further information, product details and our simple-to-use online design configurator. Simply use your mouse click to design your dream Schnepel furniture system - we hope you have a lot of fun in doing so!

PC. shy? You can contact your Schnepel retail specialist who will be glad to advise you regarding all things Schnepel.

[www.schnepel-konfigurator.de](http://www.schnepel-konfigurator.de)



# Timeless German Quality

Available at your retail specialist

„Subject to alteration, change and/or model modification / all articles without decoration“  
©Schnepel GmbH & Co. KG 09/2016 | S1508.029 GB



## SCHNEPEL

