

Compact speakers for 5.1-channel home theatre system. Designed to deliver the high quality sound of HD sources. Includes Advanced YST subwoofer for deep, robust bass and centre speaker for clear dialogue.



- Ideal combination for 5.1-channel movie sound formats
- Configuration of front (L/R), surround (L/R), centre speakers and subwoofer
- Excellent sound quality and elegant design to match flat screen TVs
- Compact design and flexible placement
- Advanced YST subwoofer with Linear Port
- Includes mini stands for front and surround speakers
- Semi-glossy finish matches the latest TVs

NS-P285 Main Specifications

System Frequency Response	30 Hz-40 kHz
Impedance	6 ohms (without subwoofer)
Front and Surround Speakers (NS-B285)	
Type	Acoustic suspension
Drivers	6.5cm (2-1/2") cone full-range driver
Input Power (Nominal/Max)	30 W / 80 W
Sensitivity	81 dB/2.83 V/1 m
Dimensions (W x H x D)	90 x 90 x 109 mm (without stand) 90 x 120 x 123 mm (with stand) 3-1/2" x 3-1/2" x 4-1/4" (without stand) 3-1/2" x 4-3/4" x 4-7/8" (with stand)
Weight	0.51 kg; 1.1 lb. / unit (with stand)
Centre Speaker (NS-C385)	
Type	2-way acoustic suspension
Drivers	Dual 6.5cm (2-1/2") cone woofers and 2.5cm (1") balanced-dome tweeter
Input Power (Nominal/Max)	50 W / 100 W
Sensitivity	84 dB/2.83 V/1 m
Dimensions (W x H x D); Weight	220 x 90 x 109 mm; 1 kg 8-5/8" x 3-1/2" x 4-1/4"; 2.2 lbs.
Subwoofer (NS-SW280)	
Type	Advanced YST with Linear Port
Dynamic Power	100 W
Output Power (RMS)	50 W (5 ohms, 100 Hz, 10% THD)
Driver	16cm (6-1/2") cone
Dimensions (W x H x D); Weight	262 x 264 x 316 mm; 6.9 kg 10-3/8" x 10-3/8" x 12-1/2"; 15.2 lbs.

Speaker Package NS-P285

High Sound Quality for HD Era

With more and more music and movie sources becoming high definition, such as digital broadcasting and Blu-ray Discs, your speakers have to be able to clearly reproduce the detail and clarity that these sources provide. The NS-P285 speakers use new woofers and balanced dome tweeters to ensure the best possible sound from HD sources.

5.1-Channel Home Theatre Package

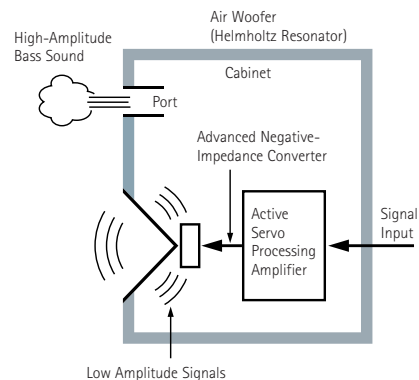
This speaker system is a 5.1-channel package. This configuration allows Dolby Digital and DTS movie sound formats to be enjoyed at their full potential. The speakers' high performance capabilities ensure accurate reproduction of DVD and other high quality sound sources, as well

as of Yamaha's dynamic and realistic CINEMA DSP sound.

Advanced YST for Awesome Deep Bass

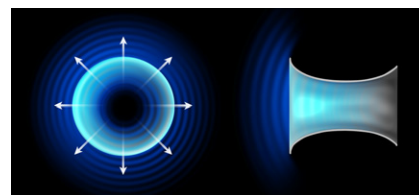


Yamaha's patented Advanced Active Servo Technology (Advanced YST) generates incredible bass from small speaker enclosures. Advanced YST is the ideal method of combining amplifiers and speakers for maximum performance. This system's advanced negative impedance converter intelligently adjust the negative impedance generation as the speaker moves, creating a hard, rigid cone that prevents deep resonant waves from leaking out of the speaker cone. This means the full power of the waves is forced out through the air port, resulting in clear, powerful bass.



Linear Port

The Linear Port helps to ensure smooth bass response, while minimising extraneous noise.



Linear Port
Advanced YST produces rich bass sound, and the addition of a Linear Port reduces extraneous noise for even higher quality.

Easy Placement Anywhere

The compact front and surround speakers are small enough to be placed around the room on bookshelves, tables or any convenient location. They come with mini stands that can be attached or detached as desired. They can also be mounted on walls.



Mini Speaker Stands (x 4) Included

SPS-90 Optional Floorstanding Speaker Stands

- Dimensions (W x H x D/Weight):
230 x 910–1,200 (height adjustable) x 230 mm /
2.2 kg per unit;
9" x 35-7/8"–47-1/4" (height adjustable) x 9" /
4.8 lbs. per unit



Recommended Combination

Combine the NS-P285 with a Yamaha AV Receiver for an "HTiB (Home Theatre in a Box)" or Home Theatre Package.



Good speakers are important for good home theatre.

Front Speakers

Required to handle most of the sound output, these speakers require excellent sensitivity, frequency response and dynamic range.

Centre Speaker

The centre speaker delivers most of the dialogue, so high clarity output is vital to movie enjoyment.

Surround Speakers

The quality of the surround sound experience depends on the quality of the surround speakers. Yamaha ensures that they perform up to high standards.

Subwoofer

Because good bass response is necessary for enjoying movie sound, Yamaha Advanced YST subwoofers are ideal for use in Home Theatre Packages.

• Dolby and the double-D symbol are registered trademarks of Dolby Laboratories. • "DTS" and "DTS Digital Surround" are registered trademarks of DTS, Inc. • CINEMA DSP is a trademark of Yamaha Corporation. • Advanced YST is a trademark of Yamaha Corporation. • Product designs and specifications are subject to change without notice.