

NS-700 Series

Speaker
NS-700 Series

NEW PRODUCT BULLETIN



No parallel planes.

The key element of the NS-700 Series design is a cabinet without parallel planes, inherited from the Soavo Series. Revealing a beautiful piano-like finish, its styling is graceful even from the back, and it presents a varied appearance depending on the angle from which it is viewed.

NS-F700
3-Way Bass-Reflex
Floorstanding Speaker System

NS-SW700
Advanced YST II and QD-Bass
Technology Subwoofer



Speaker
NS-700 Series

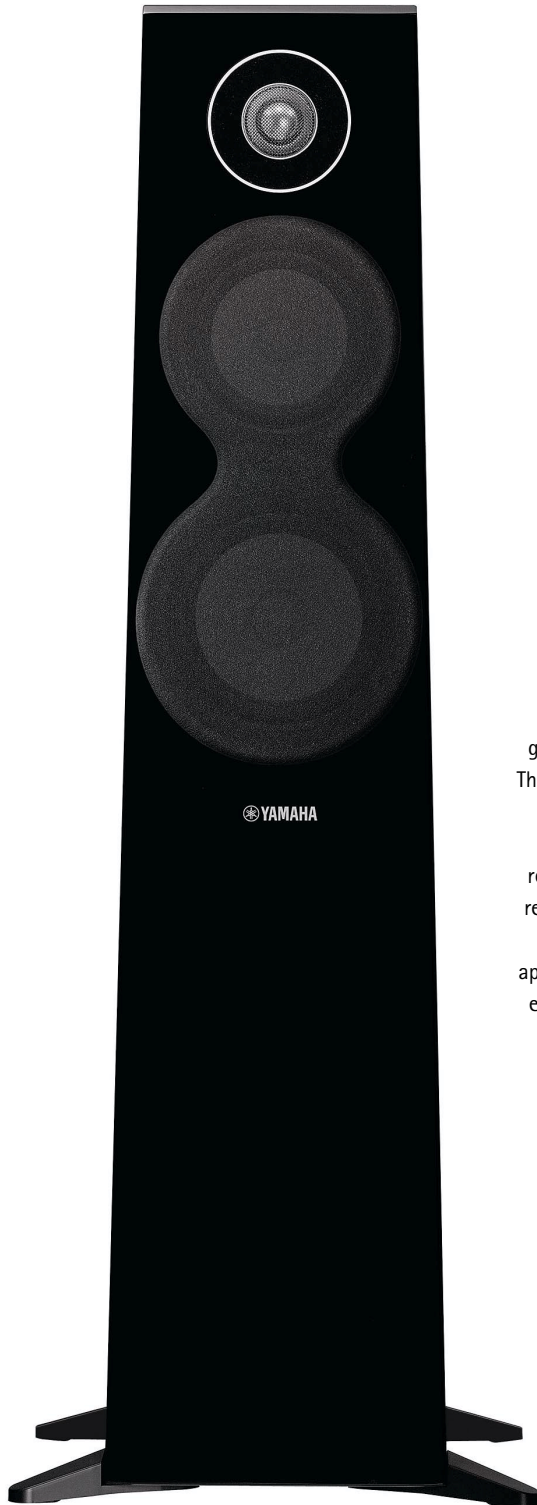
NEW PRODUCT BULLETIN



**Beautiful to look at
from all sides.**

Just like a piano on a stage, the form is beautiful from any angle, so it can be placed anywhere in any room. The design, with its striking shape and remarkable originality, combined with its brilliant and lively tone color, will enrich your life.

Speaker
NS-700 Series



Expression of our origin.

A simple grill net like the body line of a guitar shows off the finish of the cabinet. The size is minimised so that it hides as little as possible of the beautiful baffle. The design of the subwoofer port, which is reminiscent of a guitar's sound hole, is the result of the search for a shape suitable for playing music. From the sound to the appearance, everything about these speakers expresses the fact that Yamaha's roots are as a musical instrument maker.



The NS-700 speakers feature a clean, transparent sound and robust bass response. With the same Piano Black finish as Yamaha grand pianos, they look elegant as well.



NS-F700



NS-B750



NS-B700



NS-C700



NS-SW700

• The NS-F700, NS-B750, NS-B700, NS-C700 and NS-SW700 are offer with Yamaha Piano Black Finish and brown open pore finish available.

NS-F700

- 3-way bass-reflex floorstanding speaker system for front channels
- Rounded top panel reduces vertical standing waves; trapezoidal cabinet shape reduces horizontal standing waves
- Advanced PMD cone woofer and midrange driver
- Aluminium dome tweeter with DC-Diaphragm™
- Three-way mitered-joint construction

NS-B750

- 2-way bass-reflex bookshelf speaker system for front channels
- Rounded top panel reduces vertical standing waves; trapezoidal cabinet shape reduces horizontal standing waves
- Advanced PMD cone woofer
- Aluminium dome tweeter with DC-Diaphragm™
- Three-way mitered-joint construction

NS-B700

- 2-way acoustic suspension speaker system for surround channels
- Advanced PMD cone woofer
- Aluminium dome tweeter with DC-Diaphragm™
- Three-way mitered-joint construction

NS-C700

- 2-way acoustic suspension speaker system for centre channel
- Advanced PMD cone woofers
- Aluminium dome tweeter with DC-Diaphragm™
- Three-way mitered-joint construction

NS-SW700

- 25cm (10") 300W subwoofer with Advanced YST II and QD-Bass technology
- Linear Port enhances bass while minimising extraneous noise
- BASS (Bass Action Selector System)

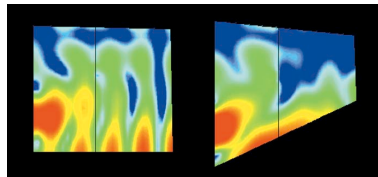


Speaker
NS-700 Series



The Design Is Innovative, the Sound Is Dynamic, Vivid and “Live”

NS-700 speakers deliver sound that is so dynamic and vivid, it seems live. One of the main reasons for this is the non-parallel design of the cabinets. In designing them, the Yamaha speaker team aimed to maximise sound clarity and imaging, while minimising internal standing waves. They succeeded with a rounded top panel that helps to reduce vertical standing waves, and a trapezoidal shape that serves to reduce the horizontal ones. The result is a very natural, expansive sound, making the NS-700 speakers excellent for both multi-channel music of any genre and home theatre use.



Sound Pressure Distribution Inside the Midrange Driver (NS-F700)
 Left: Ordinary enclosure; Right: Non-parallel surfaces
 The image on the left shows that there are standing waves. The non-parallel surfaces restrict standing waves, preventing degradation of midrange sound.

A-PMD Woofer and Midrange Cones

Yamaha's exclusive A-PMD (Advanced Polymer-injected Mica Diaphragm) cones



NS-F700 Advanced PMD Cone Woofer

are extremely light, rigid and sturdy thanks to the use of a low specific gravity material called PMP (Poly-Methyl-Pentene) that is much lighter than polypropylene. It provides very fast response time (sound rise and fall), as well as excellent midrange clarity and bass response. Outstanding internal loss characteristics decrease unwanted resonances to achieve the smooth frequency response that results in natural sounding vocals.

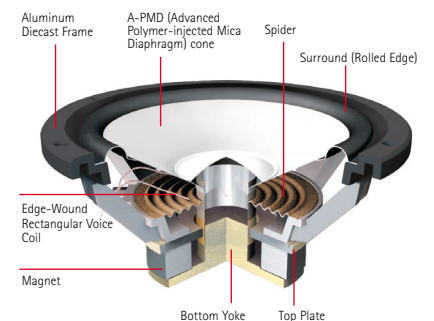
Aluminium Dome, DC-Diaphragm™ Tweeter

The high-performance 3cm (1-1/8") tweeter features a dome made of aluminium, with Yamaha's DC-Diaphragm that integrates the diaphragm and voice coil. It is extremely light yet durable, and transmits large amounts of sound information (highly detailed sound) for a denser sound field. As a result, this tweeter delivers highs that are crisp and clear at all power levels.



Aluminium Dome Tweeter and DC-Diaphragm™

NS-F700 Advanced PMD Cone Woofer Construction



Speaker NS-700 Series

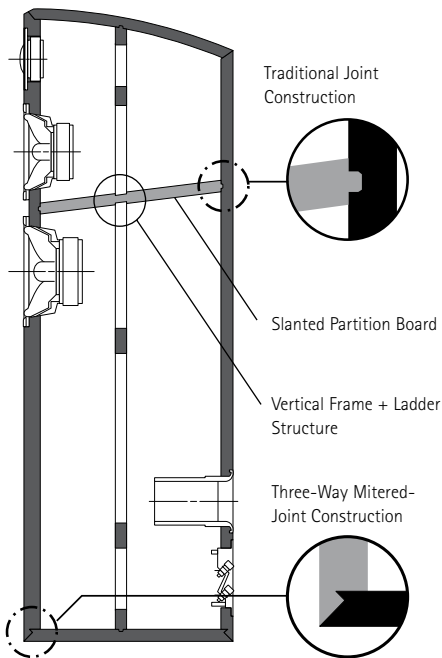
Vertical and Slanted Partitions (NS-F700)

The internal construction also draws on Soavo design techniques. The woofer and midrange sections are divided by a slanted partition and vertical ladder-type bracing is placed in the centre, both of which enhance cabinet rigidity to prevent unwanted vibrations.

Three-Way Mitered-Joint Construction for a Rigid Body

Yamaha's excellence in woodworking is used to good advantage in the three-way mitered construction of the cabinet joints. This technique ensures extremely tight joints so the entire cabinet behaves as a single unit, providing tight bass reproduction.

Vertical and slanted partitions contribute to a strong, vibration-resistant structure (NS-F700)



Matching Stands

The NS-F700 floorstanding speakers come with stands designed to prevent tipping, which also have a high quality

finish that nicely complements the speaker's elegant design.



NS-SW700 Subwoofer: Ideally Balanced Sound

The NS-SW700 subwoofer meets the challenge of providing an ideal balance between tight sounds (with crisp, fast attack) and deep sounds (with a spacious feeling). Although these two types of sounds, by definition, tend to oppose each other, this subwoofer is capable of accurately rendering the tone intervals of all kinds of sounds, so the music is ideally balanced.

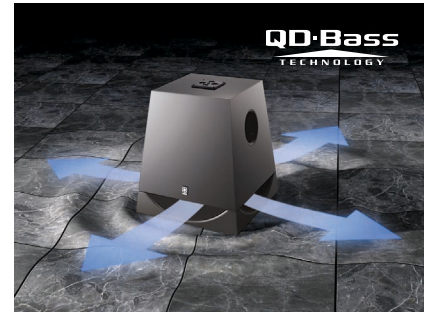
Finally, the enjoyment derived from the NS-SW700 is not restricted to your ears – with its impressive power it lets you feel the music, too.

PWM Digital Drive High Efficiency Amplifier

The NS-SW700 subwoofer delivers high power outputs at deep bass levels, with excellent stability and low power consumption, even with their compact cabinets. This is made possible by a power amplifier that delivers stable power output with high efficiency while minimising power consumption and heat production. It does not require an output filter coil, resulting in extremely low noise and distortion. High speed transient response is also excellent.

Advanced YST II for Awesome Deep Bass

Yamaha's Advanced YST II (Yamaha Active Servo Technology II) uses Advanced Negative Impedance Converter (ANIC) circuits to maintain excellent linearity. This means more stable and accurate low range response and higher sound pressure levels, for more natural and energetic bass reproduction.



QD-Bass Technology Allows Free Placement

QD-Bass (Quatre Dispersion Bass) technology uses down-firing drivers with square, pyramid-shaped reflective plates to radiate the sound efficiently in four horizontal directions.

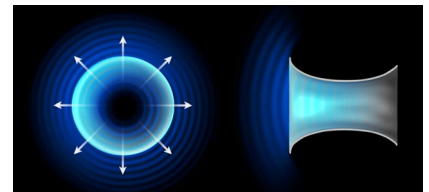
It provides extraordinary power and smooth frequency response from an extremely compact unit. It also allows greater freedom of placement, since the sound radiates with equal effectiveness in all directions.



Reflective Plate

Linear Port

The Linear Port provides smooth bass response while minimising extraneous noise.



Advanced YST II produces rich bass sound, and the addition of a Linear Port reduces extraneous noise for even higher quality.

BASS

The BASS (Bass Action Selector System) function lets you switch between Movie and Music modes, providing the optimum frequency response in each case.



Control Panel (Top Panel)

Speaker NS-700 Series

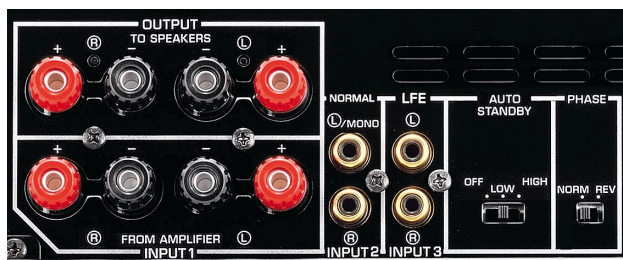
NEW PRODUCT BULLETIN

Main Specifications	NS-F700	NS-B750
Type	3-way bass-reflex floorstanding	2-way bass-reflex bookshelf
Woofers	16cm (6-1/2") Advanced PMD cone	13cm (5") Advanced PMD cone
Midrange Driver	13cm (5") Advanced PMD cone	
Tweeter	3cm (1-1/8") aluminium dome with DC-Diaphragm™	3cm (1-1/8") aluminium dome with DC-Diaphragm™
Magnetic Shielding	No	No
Frequency Response	45 Hz-50 kHz	60 Hz-50 kHz
Sensitivity	89 dB/2.83 V/1 m	87 dB/2.83 V/1 m
Nominal Input Power	40 W	30 W
Maximum Input Power	160 W	120 W
Crossover Frequencies	700 Hz, 4 kHz	4 kHz
Impedance	6 ohms	6 ohms
Dimensions (W x H x D)	230 x 1,000 x 350 mm (without stand) 9-1/16" x 39-3/8" x 13-13/16" (without stand)	198 x 350 x 290 mm 7-13/16" x 13-13/16" x 11-7/16"
Weight	25 kg; 55.1 lbs.	6.7 kg; 14.8 lbs.

Main Specifications	NS-B700	NS-C700
Type	2-way acoustic suspension	2-way acoustic suspension
Woofers	10cm (4") Advanced PMD cone	Dual 13cm (5") Advanced PMD cone
Tweeter	3cm (1-1/8") aluminium dome with DC-Diaphragm™	3cm (1-1/8") aluminium dome with DC-Diaphragm™
Magnetic Shielding	No	No
Frequency Response	65 Hz-50 kHz	60 Hz-50 kHz
Sensitivity	86 dB/2.83 V/1 m	89 dB/2.83 V/1 m
Nominal Input Power	30 W	40 W
Maximum Input Power	120 W	160 W
Crossover Frequency	5 kHz	5 kHz
Impedance	6 ohms	6 ohms
Dimensions (W x H x D)	150 x 270 x 154 mm 5-15/16" x 10-5/8" x 6-1/16"	500 x 170 x 170 mm 19-11/16" x 6-11/16" x 6-11/16"
Weight	3.5 kg; 7.7 lbs.	7 kg; 15.4 lbs.

Main Specifications	NS-SW700
Type	Advanced YST II and QD-Bass technology
Driver	25cm (10") cone
Magnetic Shielding	Yes
Output Power	300 W
Frequency Response	20-160 Hz
Autostandby	Yes
Dimensions (W x H x D)	406 x 445 x 406 mm 16" x 17-1/2" x 16"
Weight	21 kg; 46.3 lbs.

• Product designs and specifications are subject to change without notice.



NS-SW700 Connection Panel



Available in Piano Black Finish or Brown Open Pore Finish. Cabinets feature a luxurious, environmentally friendly open-pore finish. The Piano Black Finish is made with the same materials, and using the same application process, as is used on Yamaha's finest grand pianos.