

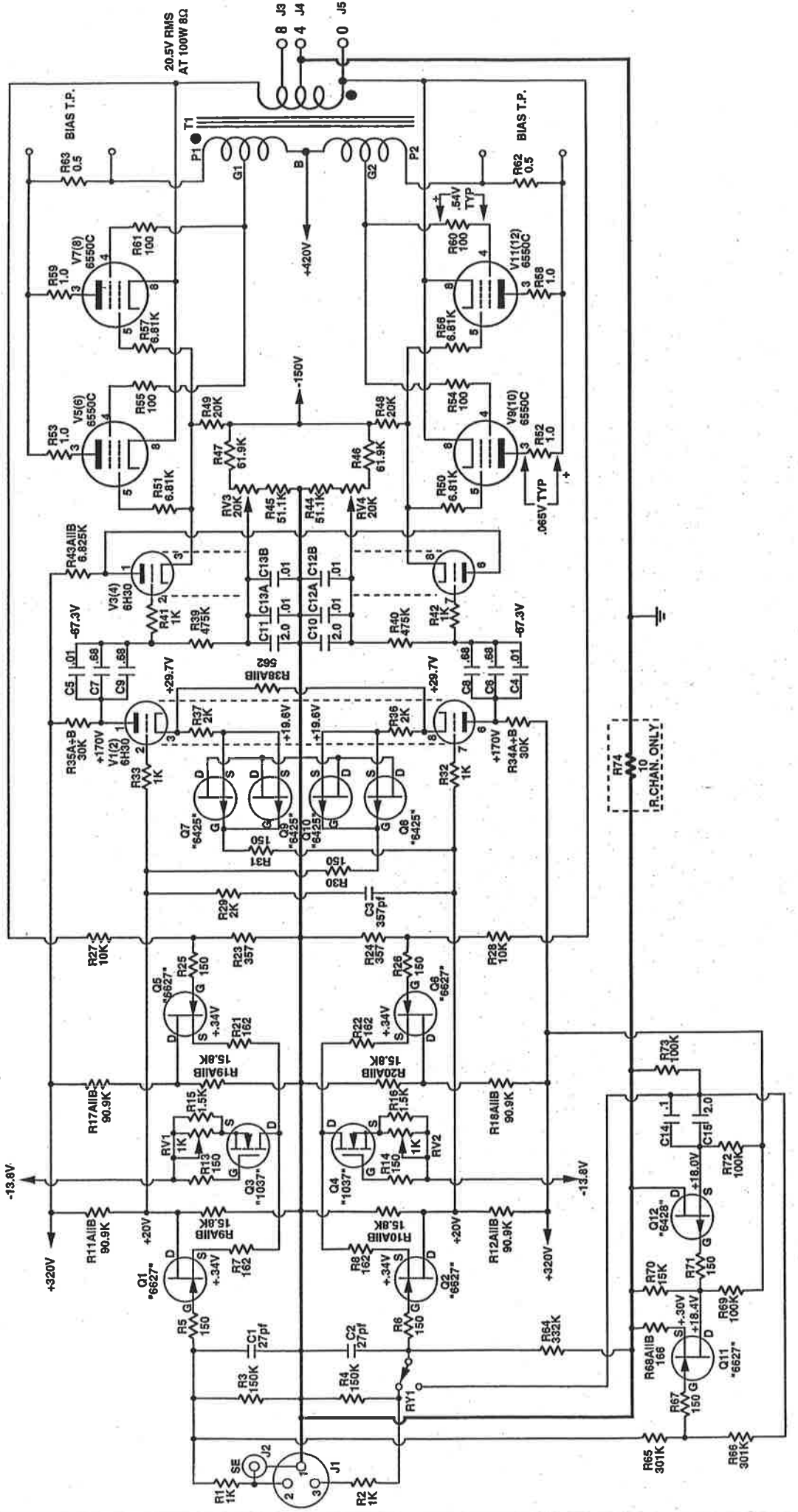
audio research

H I G H D E F I N I T I O N[®]

3900 ANNAPOLIS LANE NORTH / PLYMOUTH, MINNESOTA 55447-5447 / PHONE: 763-577-9700 FAX 763-577-0323

VT100MKIII SCHEMATIC

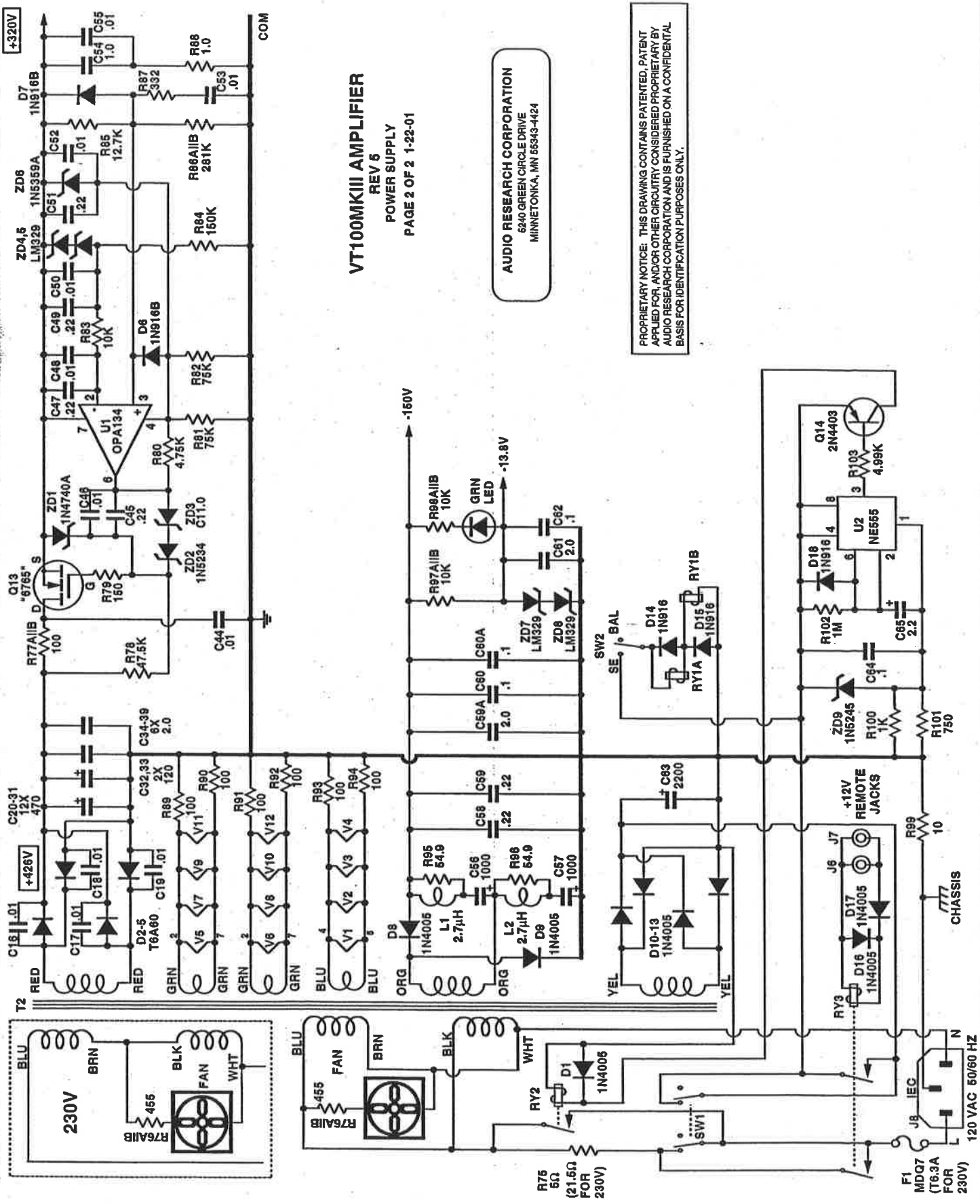
2/6/01



VT100MKIII
 AUDIO REV 4.1
 PAGE 1 of 2
 2-6-01

AUDIO RESEARCH CORPORATION
 8740 GREEN CIRCLE DRIVE
 MINNETONKA, MN 55345-4424

PROPRIETARY NOTICE: THIS DRAWING CONTAINS PATENTED, PATENT APPLIED FOR, AND/OR OTHER CIRCUITRY CONSIDERED PROPRIETARY BY AUDIO RESEARCH CORPORATION. THIS DRAWING IS NOT TO BE REPRODUCED OR TRANSMITTED IN ANY FORM OR BY ANY MEANS, ELECTRONIC OR MECHANICAL, WITHOUT THE WRITTEN PERMISSION OF AUDIO RESEARCH CORPORATION. THIS DRAWING IS A CONFIDENTIAL BASIS FOR IDENTIFICATION PURPOSES ONLY.



VT100MKIII AMPLIFIER

REV 5

POWER SUPPLY

PAGE 2 OF 2 1-22-01

AUDIO RESEARCH CORPORATION
 6240 GREEN CIRCLE DRIVE
 MINNETONKA, MN 55343-4424

PROPRIETARY NOTICE: THIS DRAWING CONTAINS PATENTED, PATENT APPLIED FOR, AND/OR OTHER CIRCUITRY CONSIDERED PROPRIETARY BY AUDIO RESEARCH CORPORATION AND IS FURNISHED ON A CONFIDENTIAL BASIS FOR IDENTIFICATION PURPOSES ONLY.

audio research

H I G H D E F I N I T I O N[®]

3900 ANNAPOLIS LANE NORTH / PLYMOUTH, MINNESOTA 55447-5447 / PHONE: 763-577-9700 FAX 763-577-0323

VT100MKIII

PARTS LIST

1-9-02

PARTS LIST

As of JAN 9 02

PRODUCT: VT100MKIII

Schematic Symbol	Quantity	ARC Part #	Description
C CAPACITORS			
C1,2,3B	6	53270101	CAP., 27pf \pm 1pf 630V PNP
C3A	2	53330201	CAP., 330pF \pm 2.5% 630V PPN
C4,5	1	53100417	CAP., .01uf 600V TEFLON
C6,7,8,9	8	53680505	CAP., .68 μ F 425V INFINICAP GRN
C10,11,15,61	5	53200603	CAP., 2 μ F \pm 10% 250V
C16-19	4	53100407	CAP., .01 μ F \pm 20% 250V
C20-31	12	50470807	CAP., 470 μ F 450V "LYTIC"
C32,33	2	50120801	CAP., 120 μ F 450V "LYTIC"
C34,39	6	53200602	CAP., 2 μ F \pm 10% 450V
C44,55	2	53100412	CAP., .01 μ F \pm 10% 600V RTX
C45,47,49,51,58,59	6	53220507	CAP., .22 μ F \pm 10% 160V
C46,48,50,52,60	5	53100410	CAP., .01uf \pm 10% 400V
C54	1	53100610	CAP., 1.0 μ F \pm 10% 400V PPMF
C56,57	2	50100909	CAP., 1000 μ F 100V "LYTIC" RAD.
C63	1	50220903	CAP., 2200 μ F 35V ELECTROLYTIC
D DIODES			
D1,8-13,16,17	9	30500400	IN4005
D2-5	4	30503310	T6A60, TAITRON
D6,7,14,15	5	30500910	1N916B
FAN FANS			
FAN1	1	64000220	FAN, PAPST 4800X
J CONNECTORS			
J1	2	23201970	CONNECTOR, XLR FEM. #NC3FP-1-B
J2	1	23201509	JACK, CHASSIS RED
J2	1	23201510	JACK, CHASSIS WHITE
J3,4,5	6	10036620	BINDING POST, & KNOB
J6,7	2	23202900	JACK, MINI PHONE .140"
J8	1	23201800	INLET, IEC MALE POWER
L INDUCTORS			
L1,2	2	61000160	CHOKE, 2.7 μ H \pm 10%
LE PANEL INDICATOR			
LE1	1	34300320	L.E.D., GREEN SPOT L424GDT
Q TRANSISTORS			
Q1,2,5,6	24	30006504	FET, WHITE YELLOW
Q3,4	4	30011037	FET, GREEN-ORANGE-VIOLET
Q7,8,9,10	8	30006425	FET, GRAY, GRAY, DOT
Q12	2	30006428	FET, GRAY GRAY
Q13	1	30006765	FET, ORANGE-YELLOW-GREEN

PARTS LIST

As of JAN 9 02

PRODUCT: VT100MKIII

Schematic Symbol	Quantity	ARC Part #	Description
R RESISTORS			
R1,2,32,33,41,42	12	42100314	RES., 1K Ω MK-5 1% 50PPM
R3,4	4	42150503	RES., 150K Ω MK-3 1% 50PPM
R5,6,13,14,25,26,30,31,67,71,79	21	42150202	RES., 150 Ω MK-2 1% 50PPM
R7,8,21,22	8	42162203	RES., 162 Ω MK-3 1% 50PPM
R9A,10A,19A,20A	8	42178403	RES., 17.8K Ω MK-3 1% 50PPM
R9B,10B,19B,20B	8	42140503	RES., 140K Ω MK-3 1% 50PPM
R11,12,17,18,69,72	12	42100505	RES., 100K Ω MK-8 1% 50PPM
R15,16	4	42150303	RES., 1.50K Ω MK-3 1% 50PPM
R23,24	4	42357203	RES., 357 Ω MK-3 1% 50PPM
R27,28,43A	6	42100414	RES., 10K Ω MK-5 1% 50PPM
R29,36,37	7	42200303	RES., 2K Ω MK-3 1% 50PPM
R34A,34B35A,35B	8	42150414	RES., 15K Ω MK-5 1% 50PPM
R38A	3	42750203	RES., 750 Ω MK-3 1% 50PPM
R38B	2	42221303	RES., 2.21K Ω MK-3 1% 50PPM
R39,40	4	42475503	RES., 475K Ω MK-3 1% 50PPM
R43B	2	42215414	RES., 21.5K Ω MK-5 1% 50PPM
R44,45	4	42511403	RES., 51.1K Ω MK-3 1% 50PPM
R46,47	4	42619403	RES., 61.9K Ω MK-3 1% 50 PPM
R48,49,97A,97B,98A,98B	8	42200414	RES., 20K Ω MK-5 1% 50PPM
R50,51,56,57	8	42681302	RES., 6.81K Ω MK-2 1% 50 PPM
R52,53,58,59	8	43100004	RES., 1 Ω 2W 5% BLUE LINE
R54,55,60,61	8	43100208	RES., 100 Ω 5% 3W W.W.
R64	2	42332503	RES., 332K Ω MK-3 1% 50PPM
R65,66	4	42301503	RES., 301K Ω MK-3 1% 50PPM
R68A,68B,87	5	42332203	RES., 332 Ω MK-3 1% 50PPM
R70	2	42150403	RES., 15K Ω MK-3 1% 50PPM
R73	2	42100503	RES., 100K Ω MK-3 1% 50PPM
R74,99	2	42100103	RES., 10 Ω MK-3 1% 50PPM
R75	1	43500003	RES., 5 Ω 25W \pm 10% W.W.
R76A,76B	2	43910201	RES., 910 Ω 2W \pm 10% W.W.
R77A,77B	2	42200205	RES., 200 Ω MK8 1% 50PPM
R78	1	42475414	RES., 47.5K Ω MK-5 1% 50PPM
R80	1	42475302	RES., 4.75K Ω MK-2 1% 50 PPM
R81,82	2	42750405	RES., 75K Ω MK-8 1% 50PPM
R83	1	42100403	RES., 10K Ω MK-3 1% 50PPM
R84	1	42150514	RES., 150K Ω MK-5 1% 50PPM
R85	1	42127403	RES., 12.7K Ω MK-3 1% 50PPM
R86A,86B	2	42562503	RES., 562K Ω MK-3 1% 50PPM
R88	1	43100002	RES., 1 Ω 2W 5% W.W.
R89-94	6	42100203	RES., 100 Ω MK-3 1% 50PPM
R95,96	2	42549103	RES., 54.9 Ω MK-3 1% 50PPM
RV CONTROLS			
RV1,2	4	45100301	POT., TRIM 1K Ω
RV3,4	4	45200412	POT., 20K Ω TRIM #3104F-1-203K

PARTS LIST

As of JAN 9 02

PRODUCT: VT100MKIII

Schematic Symbol	Quantity	ARC Part #	Description
			RY RELAYS
RY1	2	64101600	RELAY, 12VDC
RY2	1	64101200	RELAY, 24V POWER ON
RY3	1	64101800	RELAY, 12V FAST
			SW SWITCHES
SW1	1	24102300	SWITCH, ROCKER
SW2	1	24101410	SWITCH, TOGGLE INPUT REFPHONO
			T TRANSFORMERS
T1	2	60012220	XFR., VT100 OUTPUT
T2	1	60013914	XFR., VT100 POWER DUAL V.
			U INTEGRATED CIRCUITS
U1	1	31002230	OPA134
			V VACUUM TUBES
V1-4	4	32002301	(B)TUBE, 6H30P (TESTED)
V5-12	8	32000561	(B)VAC. TUBE, 6550C TESTED
			ZD ZENER DIODES
ZD1	1	30500300	IN4740A
ZD2	1	30502100	1N5234B
ZD3	1	30504900	ZENER, 11V BZX55C11
ZD4,7	2	31000702	FET, RED
ZD5,8	2	31000703	FET, ORANGE
ZD6	1	30503500	IN5359A OR B