



VISO 1 *BT*

Wireless Bluetooth® Music System

ENGLISH



Owner's Manual

IMPORTANT SAFETY INSTRUCTIONS

**SAVE THESE INSTRUCTIONS FOR LATER USE
FOLLOW ALL WARNINGS AND INSTRUCTIONS MARKED ON THE AUDIO
EQUIPMENT.**

- 1. Read instructions** - All the safety and operating instructions should be read before the product is operated.
- 2. Retain instructions** - The safety and operating instructions should be retained for future reference.
- 3. Heed Warnings** - All warnings on the product and in the operating instructions should be adhered to.
- 4. Follow Instructions** - All operating and use instructions should be followed.
- 5. Cleaning** - Unplug this product from the wall outlet before cleaning. Do not use liquid cleaners or aerosol cleaners. Clean only with dry cloth.
- 6. Attachments** - Do not use attachments not recommended by the product manufacturer as they may cause hazards.
- 7. Water and Moisture** - Do not use this product near water-for example, near a bath tub, wash bowl, kitchen sink, or laundry tub; in a wet basement; or near a swimming pool; and the like.
- 8. Accessories** - Do not place this product on an unstable cart, stand, tripod, bracket, or table. The product may fall, causing serious injury to a child or adult, and serious damage to the product. Use only with a cart, stand, tripod, bracket, or table recommended by the manufacturer, or sold with the product. Any mounting of the product should follow the manufacturer's instructions, and should use a mounting accessory recommended by the manufacturer.
-  **9.** A product and cart combination should be moved with care. Quick stops, excessive force, and uneven surfaces may cause the product and cart combination to overturn.
- 10. Ventilation** - Slots and openings in the cabinet are provided for ventilation and to ensure reliable operation of the product and to protect it from overheating, and these openings must not be blocked or covered. The openings should never be blocked by placing the product on a bed, sofa, rug, or other similar surface. This product should not be placed in a built-in installation such as a bookcase or rack unless proper ventilation is provided or the manufacturer's instructions have been adhered to.
- 11. Power Sources** - This product should be operated only from the type of power source indicated on the marking label. If you are not sure of the type of power supply to your home, consult your product dealer or local power company. The primary method of isolating the amplifier from the mains supply is to disconnect the mains plug. Ensure that the mains plug remains accessible at all times. Unplug the AC power cord from the AC outlet if the unit will not be used for several months or more. The socket-outlet shall be installed near the equipment and shall be easily accessible.
- 12. Grounding or Polarization** - This product may be equipped with a polarized alternating-current line plug (a plug having one blade wider than the other). This plug will fit into the power outlet only one way. This is a safety feature. If you are unable to insert the plug fully into the outlet, try reversing the plug. If the plug should still fail to fit, contact your electrician to replace your obsolete outlet. Do not defeat the safety purpose of the polarized plug.
- 13. Power Cord Protection** - Power-supply cords should be routed so that they are not likely to be walked on or pinched by items placed upon or against them, paying particular attention to cords at plugs, convenience receptacles, and the point where they exit from the product.
- 14. Outdoor Antenna Grounding** - If an outside antenna or cable system is connected to the product, be sure the antenna or cable system is grounded so as to provide some protection against voltage surges and built-up static charges. Article 810 of the National Electrical Code, ANSI/NFPA 70, provides information with regard to proper grounding of the mast and supporting structure, grounding of the lead-in wire to an antenna discharge unit, size of grounding conductors, location of antenna discharge unit, connection to grounding electrodes, and requirements for the grounding electrode.
- 15. Lightning** - For added protection for this product during a lightning storm, or when it is left unattended and unused for long periods of time, unplug it from the wall outlet and disconnect the antenna or cable system. This will prevent damage to the product due to lightning and power line surges.
- 16. Power Lines** - An outside antenna system should not be located in the vicinity of overhead power lines or other electric light or power circuits, or where it can fall into such power lines or circuits. When installing an outside antenna system, extreme care should be taken to keep from touching such power lines or circuits as contact with them might be fatal.
- 17. Overloading** - Do not overload wall outlets, extension cords, or integral convenience receptacles as this can result in a risk of fire or electric shock.

18. Object and Liquid Entry - Never push objects of any kind into this product through openings as they may touch dangerous voltage points or short out parts that could result in a fire or electric shock. Never spill liquid of any kind on the product.

WARNING: THE APPARATUS SHOULD NOT BE EXPOSED TO DRIPPING OR SPLASHING, AND OBJECTS FILLED WITH LIQUIDS, SUCH AS VASES, SHOULD NOT BE PLACED ON THE APPARATUS. AS WITH ANY ELECTRONIC PRODUCTS, USE CARE NOT TO SPILL LIQUIDS INTO ANY PART OF THE SYSTEM. LIQUIDS CAN CAUSE A FAILURE AND/OR A FIRE HAZARD.

19. Damage Requiring Service - Unplug this product from the wall outlet and refer servicing to qualified service personnel under the following conditions:

- When the power supply cord or plug is damaged.
- If liquid has been spilled, or objects have fallen into the product.
- If the product has been exposed to rain or water.
- If the product does not operate normally by following the operating instructions. Adjust only those controls that are covered by the operating instructions as an improper adjustment of other controls may result in damage and will often require extensive work by a qualified technician to restore the product to its normal operation.
- If the product has been dropped or damaged in any way.
- When the product exhibits a distinct change in performance-this indicates a need for service.

20. Replacement Parts - When replacement parts are required, be sure the service technician has used replacement parts specified by the manufacturer or have the same characteristics as the original part. Unauthorized substitutions may result in fire, electric shock, or other hazards.

21. Safety Check - Upon completion of any service or repairs to this product, ask the service technician to perform safety checks to determine that the product is in proper operating condition.

22. Heat - The product should be situated away from heat sources such as radiators, heat registers, stoves or other products (including amplifiers) that produce heat.

Battery shall not be exposed to excessive heat such as sunshine, fire or the like.

WARNING

TO REDUCE THE RISK OF FIRE OR ELECTRIC SHOCK, DO NOT EXPOSE THIS PRODUCT TO RAIN OR MOISTURE.

CAUTION

TO PREVENT ELECTRIC SHOCK, MATCH WIDE BLADE OF PLUG TO WIDE SLOT, FULLY INSERT.

RESPONSIBLE PARTY

LENBROOK AMERICA
6 Merchant Street
Sharon, MA 02067
USA
Telephone: 800 263 4641
781 784 8586
Facsimile: 781 784 8386

WARNING

Changes or modifications to this unit not expressly approved by the party responsible for compliance could void the user's authority to operate the equipment.

NOTE

Shielded cables must be used with this unit to ensure compliance with the Class B FCC limits.

NOTE

This equipment has been tested and found to comply with the limits for a Class B digital device, pursuant to Part 15 of the FCC Rules. These limits are designed to provide reasonable protection against harmful interference in a residential installation. This equipment generates, uses and can radiate radio frequency energy and, if not installed and used in accordance with the instructions, may cause harmful interference to radio communications. However, there is no guarantee that interference will not occur in a particular installation. If this equipment does cause harmful interference to radio or television reception, which can be determined by turning the equipment off and on, the user is encouraged to try to correct the interference by one or more of the following measures:

- Reorient or relocate the receiving antenna.
- Increase the separation between the equipment and receiver.
- Connect the equipment into an outlet on a circuit different from that to which the receiver is connected.
- Consult the dealer or an experienced radio/TV technician for help.

"This Class B digital apparatus complies with Canadian ICES-003."

This device complies with Industry Canada license-exempt RSS-210. Operation is subject to the following two conditions: (1) this device may not cause Interference, and (2) this device must accept any interference, including interference that may cause undesired operation of the device.

- no naked flame sources such as lighted candles should be placed on the apparatus;
- the use of apparatus in tropical climate

This device complies with Part 15 of the FCC rules. Operation is subject to the following two conditions:

- (1) This device may not cause harmful interference, and
- (2) This device must accept any interference received, including interference that may cause undesired operation.



THE LIGHTNING FLASH WITH ARROWHEAD SYMBOL, WITHIN AN EQUILATERAL TRIANGLE, IS INTENDED TO ALERT THE USER TO THE PRESENCE OF UNINSULATED "DANGEROUS VOLTAGE" WITHIN THE PRODUCT'S ENCLOSURE THAT MAYBE OF SUFFICIENT MAGNITUDE TO CONSTITUTE A RISK OF ELECTRIC SHOCK TO PERSONS.



THE EXCLAMATION POINT WITHIN AN EQUILATERAL TRIANGLE IS INTENDED TO ALERT THE USER TO THE PRESENCE OF IMPORTANT OPERATING AND MAINTENANCE (SERVICING) INSTRUCTIONS IN THE LITERATURE ACCOMPANYING THE APPLIANCE.



CAUTION REGARDING PLACEMENT

To maintain proper ventilation, be sure to leave a space around the unit (from the largest outer dimensions including projections) that is equal to or greater than shown below.

- Left and Right Panels: 10 cm
- Rear Panel: 10 cm

WARNING

If this product is used at 240VAC, a suitable attachment plug should be used.

EUROPEAN UNION NOTICE FOR WIRELESS PRODUCT



Hereby, Lenbrook Industries Limited, declares that this Wireless Music System is in compliance with the R&TTE Directive (1999/5/EC), Low Voltage Directive (2006/95/EC) and other essential requirements. The declaration of conformity may be consulted at www.lenbrook.com/DoC.

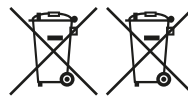
NOTES ON ENVIRONMENTAL PROTECTION

At the end of its useful life, this product must not be disposed of with regular household waste but must be returned to a collection point for the recycling of electrical and electronic equipment. The symbol on the product, owner's manual and packaging, point this out.

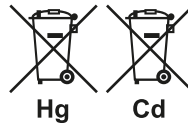


The materials can be reused in accordance with their markings. Through re-use, recycling of raw materials or other forms of recycling of old products, you are making an important contribution to the protection of our environment. Your local administrative office can advise you of the responsible waste disposal point.

INFORMATION ABOUT COLLECTION AND DISPOSAL OF WASTE BATTERIES (DIRECTIVE 2006/66/EC OF THE EUROPEAN PARLIAMENT AND THE COUNCIL OF EUROPEAN UNION) (FOR EUROPEAN CUSTOMERS ONLY)



Batteries bearing any of these symbols indicate that they should be treated as "separate collection" and not as municipal waste. It is encouraged that necessary measures are implemented to maximize the separate collection of waste batteries and to minimize the disposal of batteries as mixed municipal waste.



End-users are exhorted not to dispose of waste batteries as unsorted municipal waste. In order to achieve a high level of recycling waste of batteries, discard waste batteries separately and properly through an accessible collection point in your vicinity. For more information about collection and recycling of waste batteries, please contact your local municipality, your waste disposal service or the point of sale where you purchased the items.

By ensuring compliance and conformance to proper disposal of waste batteries, potential hazardous effects on human health is prevented and the negative impact of batteries and waste batteries on the environment is minimized, thus contributing to the protection, preservation and quality improvement of the environment.

Thank you for choosing NAD.

The NAD VISO 1 BT is for the purest who wants nothing but heart-pounding, soul-stirring sound and the freedom of instant wireless connection. Bluetooth aptX wireless high fidelity reception allows any Bluetooth-enabled device to seamlessly integrate with the NAD VISO 1 BT. Bluetooth aptX offers "hi-fi" performance and incredible sound quality.

Using NAD's Direct Digital technology to eliminate all analog stages along with their inherent noise and distortion, the NAD VISO 1 BT is a complete digital device. NAD uses a sophisticated closed loop DAC technology to directly power the speakers. Acoustic design is provided by NAD's sister company, PSB Speakers, and the amplification and acoustic design is fully integrated to create very impressive synergies. The result is a shelf system with enough acoustic power to fill a large room, guaranteed lowest distortion and widest frequency response.

As with all our products, NAD's "Music First" design philosophy guided the VISO 1 BT design that it can confidently promise you both state-of-the-art technology and audiophile-quality music listening for years to come.

We encourage you to take a few minutes now to read right through this manual. Investing a little time here at the outset might save you a good deal of time later, and is by far the best way to ensure that you make the most of your investment in the VISO 1 BT.

One more thing: We urge you to register your VISO 1 BT ownership on the NAD Worldwide Web site:

<http://NADelectronics.com/salon>

For warranty information contact your local distributor.

NAD SHALL NOT BE HELD LIABLE FOR ANY TECHNICAL OR USER INTERFACE DISCREPANCIES IN THIS MANUAL. THE VISO 1 BT OWNER'S MANUAL MAY BE SUBJECT TO CHANGE WITHOUT PRIOR NOTICE. CHECK OUT WWW.NADELECTRONICS.COM FOR THE LATEST VERSION OF THE VISO 1 BT OWNER'S MANUAL.

WHAT'S IN THE BOX

Packed with your VISO 1 BT you will find VISO 1 BT accessories box containing the following

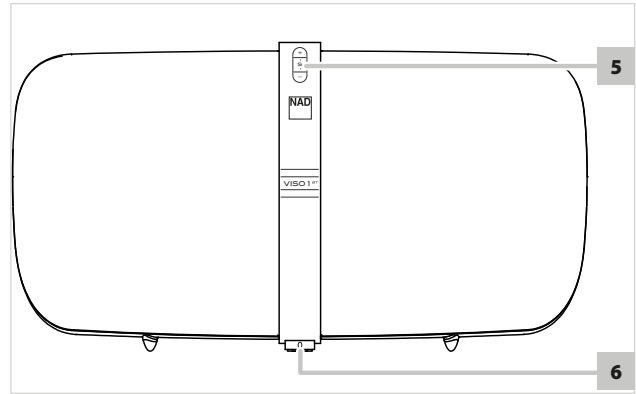
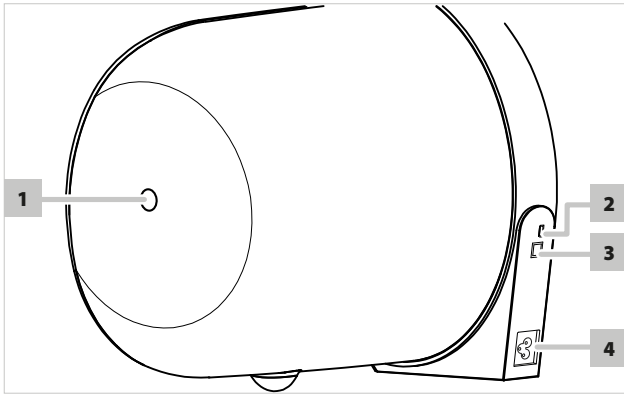
- Two detachable mains power cord
- The VISO 1 BT remote control with 3V CR2025 battery
- Cleaning cloth
- VISO 1 BT Quick Setup Guide

SAVE THE PACKAGING

Please save the box and all of the packaging in which your VISO 1 BT arrived. Should you move or otherwise need to transport your VISO 1 BT, this is by far the safest container in which to do so. We've seen too many otherwise perfect components damaged in transit for lack of a proper shipping carton, so please: Save that box!

CHOOSING A LOCATION

Provide enough space (at least 10 cm) around the VISO 1 port to allow air flow freely. Ensure that there is a clear line of sight, within 25 feet/8 meters, between the VISO 1 BT's front view and your primary listening/viewing position - this will allow reliable infrared remote control communications.



1 ON/OFF BUTTON

- Press this button to switch ON the VISO 1 BT. When ON/OFF button is pressed to power up the VISO 1 BT, the blue POWER indicator flashes continuously eventually turning to solid blue.
- Press again the ON/OFF button to switch OFF the VISO 1 BT. The blue POWER indicator is turned off with the VISO 1 BT shut down.

2 UPGRADE

- VISO 1 BT may need a software update to be in step with the latest technology trends. Connect to this input a USB memory stick containing the software update.
- Only authorized NAD distributors or service centers are allowed to implement a software update.
- Check with your authorized NAD distributors for future software updates.
- Connect to this input a USB memory stick containing the software update. Use USB adaptor when necessary.

3 OPTICAL (S/PDIF) IN

- Connect OPTICAL IN of VISO 1 BT to the corresponding optical digital output of sources such as CD, DVD or BD players, digital cable box, digital tuners and other applicable components.

4 AC MAINS INPUT

- The VISO 1 BT comes supplied with a separate detachable mains power cord. There are 2 supplied power cords – select applicable type for your usage. Before connecting the plug to the mains powers source, connect firmly first the other end to VISO 1 BT's AC Mains input socket.
- Always disconnect the mains power plug from the mains power source first, before disconnecting the cable from the VISO 1 BT's AC Mains input socket.
- Power Rating: 100 - 240V ~50/60Hz 35W.

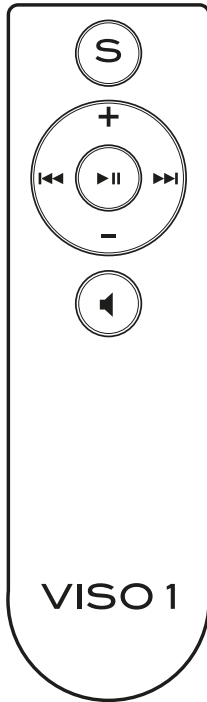
5 S, +/-

- Toggle "S" button to switch between Bluetooth device or Optical (S/PDIF) source mode.
- Press "+" to increase the volume level; "-" to lower it.
- Pressing "+" or "-" will restore audio from mute mode.

6 POWER INDICATOR

- When ON/OFF button is pressed to power up the VISO 1 BT, the blue POWER indicator flashes continuously eventually turning to solid blue.
- The blue POWER indicator is turned off with the VISO 1 BT shut down.

VISO 1 REMOTE CONTROL



S Select a Source.

+/- Increase or decrease audio level.

M Temporarily mutes audio output or restores audio from mute mode.

The following remote control commands are not applicable for VISO 1 BT - **◀◀, ▶▶, ▶||**

SOURCE SELECTION

There are two Sources that VISO 1 BT can select. These are

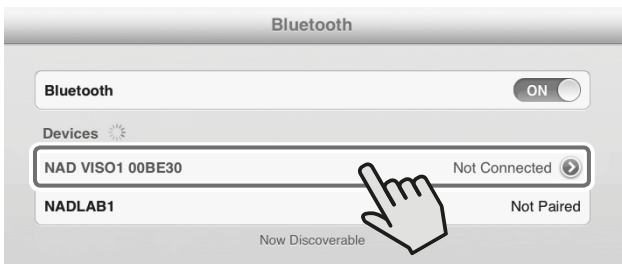
- 1 Bluetooth device
- 2 S/PDIF source

VISO 1 BT will output the audio from any of the above sources upon successful detection or connection.

BLUETOOTH DEVICE

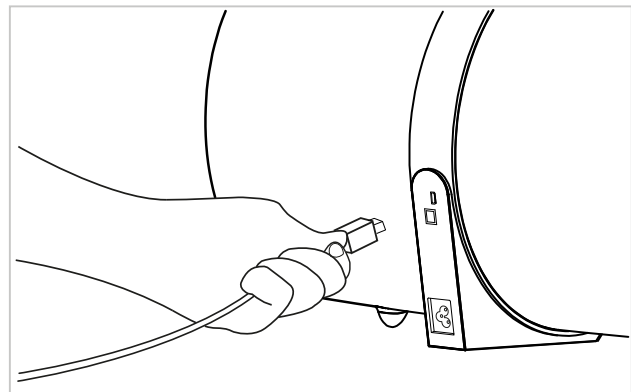
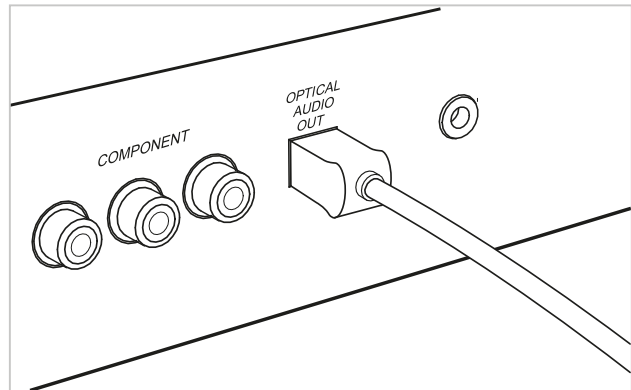
Bluetooth creates wireless connection between compatible devices by being paired together.

- 1 Ensure that your Bluetooth device is active or turned ON.
- 2 Pair Bluetooth device with the unique device ID of VISO 1 BT (NAD VISO1 OOB30 in this example). Start playback of Bluetooth device upon successful pairing.



OPTICAL (S/PDIF) SOURCE

Connect OPTICAL IN of VISO 1 BT to the corresponding optical digital output of sources such as CD, DVD or BD players, digital cable box, digital tuners and other applicable components.



RESTORING VISO 1 BT TO ITS FACTORY DEFAULT SETTINGS

You may restore your VISO 1 BT to its factory default settings. Resetting your VISO 1 BT may address the remote possibility of your VISO 1 BT exhibiting some glitches or inadvertent functionality issues. Follow the procedure below to reset your VISO 1 BT.

- 1 Press and hold "+" and then press POWER button to turn ON the VISO 1 BT.
- 2 Release "+" when the POWER indicator turns blue and flash three times. VISO 1 BT will continue on to initialize.



www.NADelectronics.com

**©2013 NAD ELECTRONICS INTERNATIONAL
A DIVISION OF LENBROOK INDUSTRIES LIMITED**

All rights reserved. NAD and the NAD logo are trademarks of NAD Electronics International, a division of Lenbrook Industries Limited.
No part of this publication may be reproduced, stored or transmitted in any form without the written permission of NAD Electronics International.
While every effort has been made to ensure the contents are accurate at the time of publication, features and specifications may be subject to change without prior notice.

VISO1BT_ENG_OM_V02 - AUG 2013