

A x24



M6 x 15 mm

B x18



Ø10x2 mm

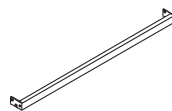
C x1



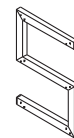
D x2



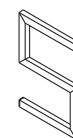
E x6



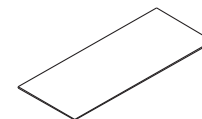
F x1



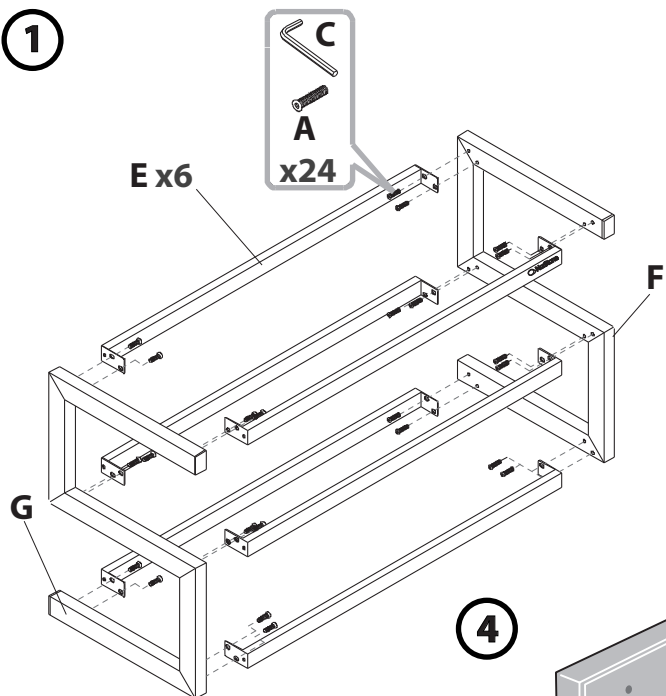
G x1



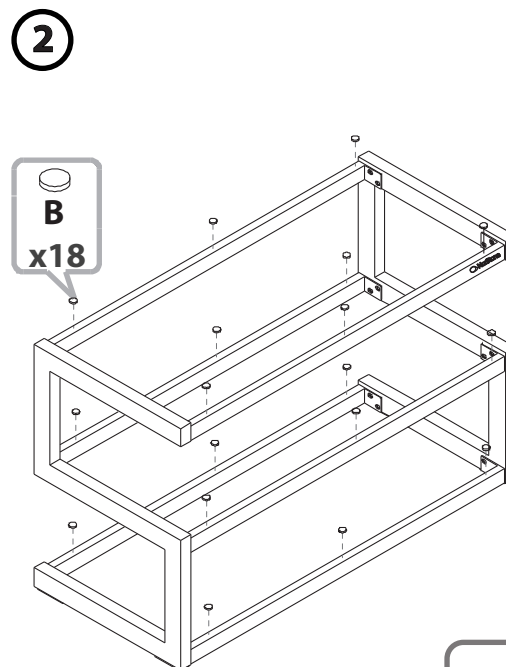
H x3



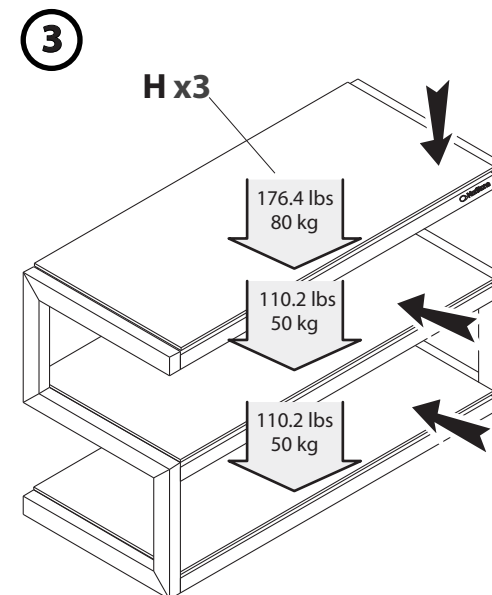
1



2



3



4

