



Bergen 2

Bergen rapidly stood out of the NorStone range as the favorite furniture of audio addicts. Bergen 2 now perfects this very efficient concept.

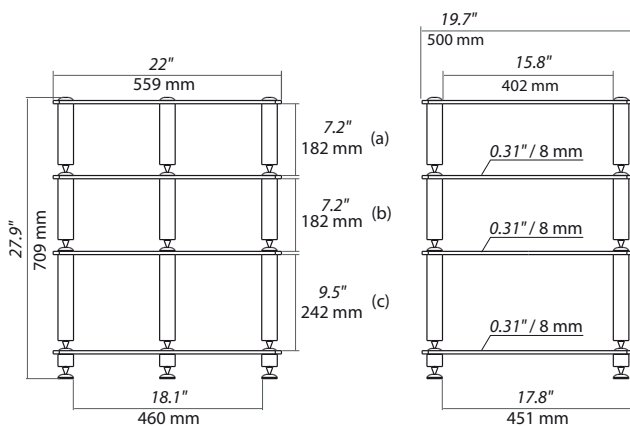
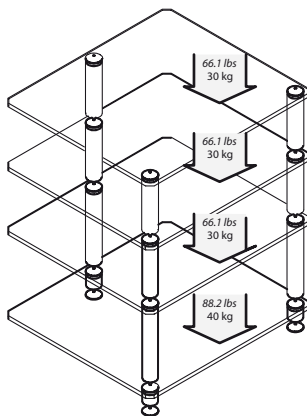
Rigidity has been increased by the way shelves are fastened between the different feet parts. Each level, including the lower one, has its own spikes and counterspikes system. Thus this piece of furniture becomes a valued ally against vibrations.

Bergen 2, with its 4 shelves, is ideal for top of the range hi-fi systems. Its top level has the perfect height for a turntable device. You'll appreciate the shelves alignment with Bergen AV 2 ones. Both will give birth to a very nice combination.

In the same range:
Bergen AV 2



SPECIFICATIONS



DESIGN

Finish: *Glossy Black/Black*

Structure: Glossy black powder coated steel

Shelves: Black lacquered tempered glass

Miscellaneous: – Self-gripping strap
– Spikes and counter spikes

MAXIMUM LOAD

Shelves: 66.1 lbs / 30 kg

Lower shelf: 88.2 lbs / 40 kg

USABLE DIMENSIONS

Overall dimensions (W x H x D):

22" x 27.9" x 19.7" / 559 x 709 x 500 mm

Shelves (W x D): 18.1" x 17.8" / 460 x 451 mm

Height between shelves: (a) 7.2" / 182 mm
(b) 7.2" / 182 mm
(c) 9.5" / 242 mm

PACKAGING

Delivered disassembled with screws kit, mounting instructions and tools

Quantity/box: 1

Type: Brown cardboard

Dimensions (W x H x D):

25.6" x 4.9" x 23" / 650 x 125 x 585 mm

Gross weight: 61.1 lbs / 27,7 kg

Net weight: 53.2 lbs / 24,6 kg

GenCode: 3760108801691

