

# Technical Manual

# 4429



## ACOUSTIC & ELECTRICAL SPECIFICATIONS:

- Nominal impedance: 6 ohms
- Maximum amplifier power: 200W (RMS)\*
- Frequency response: 40Hz – 45kHz (–6dB)
- Sensitivity: 91dB (2.83V/1m)
- Crossover frequencies: 800Hz, 7kHz

## SYSTEM COMPONENTS:

- Cabinet: 4429 cabinet (not for sale)
- Grille: 4429 front grille (441735-001)
- Low-frequency transducer: 12" (305mm) 1200Fe-8 (339200-002)
- DC resistance: 5.6 ohms, ±10%
- High-frequency transducer: 1-3/4" (44mm) 175Nd-3 Aquaplas-treated aluminum-dome (361028-001)
- DC resistance: 3.7 ohms, ±10%
- Ultrahigh-frequency transducer: 3/4" (19mm) titanium diaphragm 138Nd (364161-001)
- DC resistance: 5.6 ohms ±10%
- Crossover network - LF 441736-002
- HF 441736-001

## AURAL-SWEEP TEST SPECIFICATIONS:

- System aural-sweep test: 6.0V input 40Hz to 20kHz
- LF aural-sweep test: 5.0V input 40Hz to 1kHz
- HF aural-sweep test: 2.83V input 800Hz to 8kHz
- UHF aural-sweep test: 1.0V input 7kHz to 20kHz

## PHYSICAL SPECIFICATIONS:

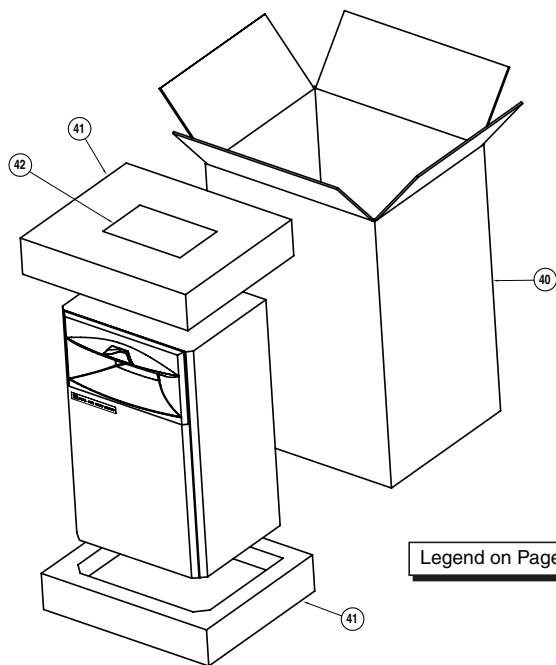
- Dimensions (W x H x D): 15-3/4" x 25" x 12-1/2" (400mm x 635mm x 318mm)
- Weight: 71 lb (32.3kg) each

## WARRANTY:

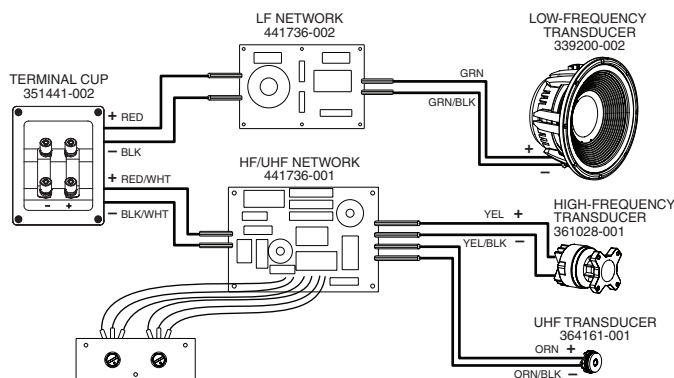
- Refer to the warranty statement packed with the product.

\* The maximum recommended amplifier power rating will ensure proper system headroom to allow for occasional peaks. We do not recommend sustained operation at these maximum power levels.

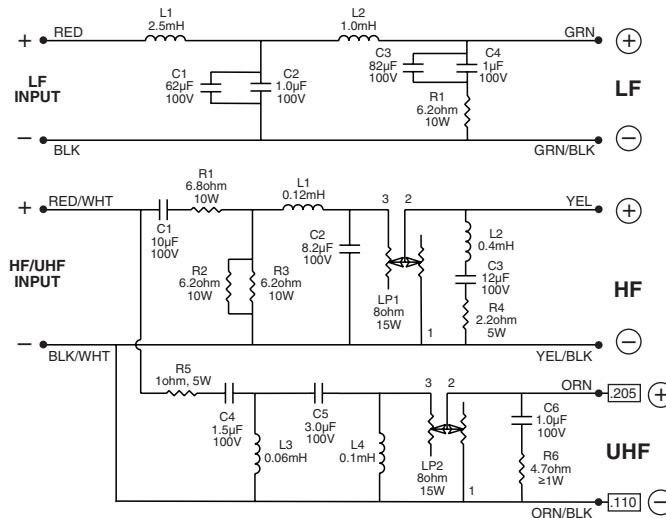
## PACKAGING



## 4429 WIRING DIAGRAM



## 4429 SCHEMATIC

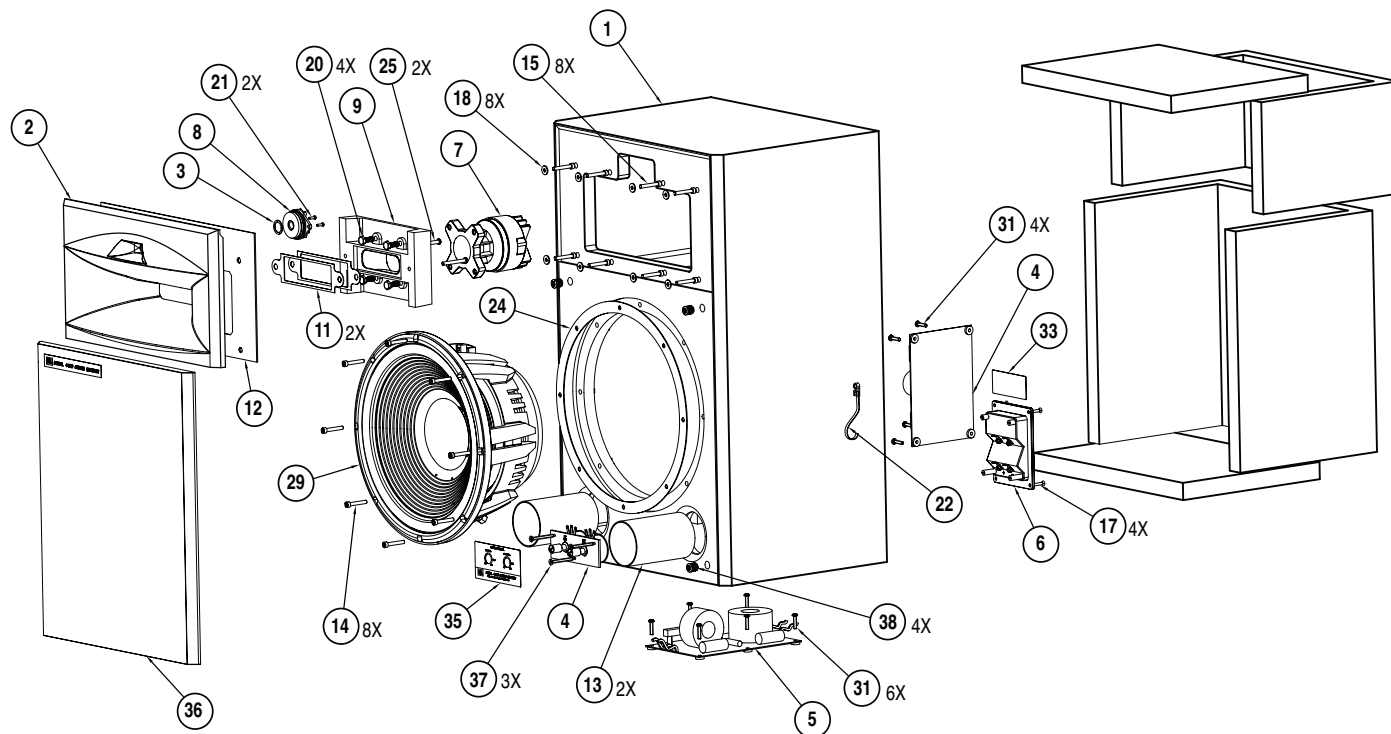


# Technical Manual

# 4429



## EXPLODED VIEW



ITEM NO.	PART NO.	DESCRIPTION	QTY.	ITEM NO.	PART NO.	DESCRIPTION	QTY.
1	(Not for sale)	4429 CABINET	1	22	(Not for sale)	CABLE TIE	1
2	364158-002	HORN, UHF/HF, PNTD	1	24	335481-001	GASKET, DRV, 12"	1
3	339976-001	GASKET, UHF-/DRVR/HORN	1	25	804-41110-24	SCREW,10-32 X 1-1/2, PAN, PH, BLK ZINC,	2
4	441736-001	NTWK, HF/UHF-4429, W/L-PADS	1			LCS HORN FRNT / REAR	
5	441736-002	NTWK, LF-4429	1	29	339200-002	ASSY, WOOFR-1200FE-8	1
6	351441-002	TERMINAL CUP	1	31	882-41110-12	SCREW, 6 X 3/4, PAN, PH, PB, BLK ZINC,	10
7	361028-001	ASSY, XDCR-175ND-3	1			LCS NTWK/CAB	
8	364161-001	TWTR, UHF-138ND	1	33	(Not for sale)	4429 FOILCAL	1
9	339092-002	HORN, HF, REAR, PNTD	1	35	(Not for sale)	LABEL, L-PAD	1
11	339702-001	GASKET, HORN, THROAT, HF	2	36	441735-001	FRONT GRILLE ASSY 4429	1
12	364162-002	GASKET, HORN, VOLARA-4429	1	37	803-11010-32	SCREW, 10-32 X 2, FLT, PH, BLK ZINC,	3
13	47909-76	TUBE, CRDBD, 2-5/8, 2.5, 1/16, 4.25	2			LCS L-PAD/CAB	
14	804-01110-20	SCREW,10-32 X 1-1/4, FIL, PH, BLK ZINC,	8	38	333249-001	CUP, GRL	4
		LCS WFR/CAB		40	441734-001	CTN, MASTER-4429	1
15	874-33114-20	SCREW,10-32 X 1-1/4, SOC CAP,	8	41	364065-001	FOAM PACKING (BOTTOM, TOP)	2
		BLK ZINC, ALLOY HORN/CAB		42	Visit www.jbl.com	OWNER'S MANUAL	1
17	882-51110-12	SCREW, 6 X 3/4, OV, PH, PTCL, BLK ZC,	4				
		LCS TERM CUP/CAB					
18	843-90003-00	WASHER, FENDER, #10 HORN / CAB	8				
20	854-00000-12	BOLT, 1/4-20 X 3/4, HEX, TAP, CLR ZC,	4				
		LCS HF DRVR / REAR HORN					
21	801-41010-06	SCREW, 4-40 X 3/8, PAN, PH, BLK, ZINC,	2				
		LCS TWTR/HORN					

### TO SERVICE THE 4429:

Remove the woofer. Access the remaining drivers and the crossover networks through the woofer opening in the cabinet. If removal of the L-Pads is necessary, access the three attachment screws beneath the L-Pad label. Try not to damage the label while removing it; it is not available for sale as a part.

HARMAN

HARMAN Consumer, Inc.  
8500 Balboa Blvd., Northridge, CA 91329 USA  
© 2010 HARMAN International Industries, Incorporated. All rights reserved. JBL is a trademark of HARMAN International Industries, Incorporated, registered in the United States and other countries. Features, specifications and appearances are subject to change without notice.